

MONOLITH

Cooling Redefined

Planning Guide

LIEBHERR



EWT 9175 | EGN 9271 | EKB 9471

MONOLITH

New dimensions
of refrigerating
and freezing.



ECBN 9673 | FrenchDoor

There are refrigerators. And then there is Liebherr.

How do you deliver outstanding quality?
To always be one step ahead of technological
innovations? And to constantly set new
standards, even in design? By specialising in
what you can do best: building refrigerators and
freezers.

Every Liebherr development, every new feature,
operating element and design detail contains
over 65 years' specialist experience in refrigeration
and freezing. This includes our luxury segment,
the fully integrated Monolith series.

You can't get greater than the Monolith. And
we're not just talking about its imposing height
of 2.13 metres. These appliances are more than
a new generation of fully integrated refrigerator
and freezer compartments and wine cabinets.
They are a statement.

A statement of exceptional quality and pioneering
technologies which make refrigeration
and freezing the highlight of the kitchen.
Discover the secret of their perfection.

EGN 9671 | EKB 9671

Model overview

Refrigerators

Model	Features	Door hinges ¹ on delivery	Panels ² *optional accessories										
EKB 9271 +61.0→	<table border="1"> <tr> <td>Bio Fresh Plus</td> <td>Soft System</td> <td>Power Cooling</td> <td>Infinity Swipe</td> <td>Infinity Light</td> </tr> <tr> <td>Smart Device</td> <td>Soft-Telescopic</td> <td></td> <td></td> <td></td> </tr> </table>	Bio Fresh Plus	Soft System	Power Cooling	Infinity Swipe	Infinity Light	Smart Device	Soft-Telescopic				variant -001 right, reversible	customer-spec. door panel / *stainless steel panel
Bio Fresh Plus	Soft System	Power Cooling	Infinity Swipe	Infinity Light									
Smart Device	Soft-Telescopic												
EKB 9471 +76.2→	<table border="1"> <tr> <td>Bio Fresh Plus</td> <td>Soft System</td> <td>Power Cooling</td> <td>Infinity Swipe</td> <td>Infinity Light</td> </tr> <tr> <td>Infinity Spring</td> <td>Smart Device</td> <td>Soft-Telescopic</td> <td></td> <td></td> </tr> </table>	Bio Fresh Plus	Soft System	Power Cooling	Infinity Swipe	Infinity Light	Infinity Spring	Smart Device	Soft-Telescopic			variant -001 right, reversible	customer-spec. door panel / *stainless steel panel
Bio Fresh Plus	Soft System	Power Cooling	Infinity Swipe	Infinity Light									
Infinity Spring	Smart Device	Soft-Telescopic											
EKB 9671 +91.4→	<table border="1"> <tr> <td>Bio Fresh Plus</td> <td>Soft System</td> <td>Power Cooling</td> <td>Infinity Swipe</td> <td>Infinity Light</td> </tr> <tr> <td>Infinity Spring</td> <td>Smart Device</td> <td>Soft-Telescopic</td> <td></td> <td></td> </tr> </table>	Bio Fresh Plus	Soft System	Power Cooling	Infinity Swipe	Infinity Light	Infinity Spring	Smart Device	Soft-Telescopic			variant -001 right, reversible	customer-spec. door panel / *stainless steel panel
Bio Fresh Plus	Soft System	Power Cooling	Infinity Swipe	Infinity Light									
Infinity Spring	Smart Device	Soft-Telescopic											

Freezers

Model	Features	Door hinges ¹ on delivery	Panels ² *optional accessories										
EGN 9171 +45.7→	<table border="1"> <tr> <td>No Frost</td> <td>Soft System</td> <td>Infinity Swipe</td> <td>Infinity Light</td> <td>Ice Maker</td> </tr> <tr> <td>Frost Safe System</td> <td>Smart Device</td> <td>Soft-Telescopic</td> <td></td> <td></td> </tr> </table>	No Frost	Soft System	Infinity Swipe	Infinity Light	Ice Maker	Frost Safe System	Smart Device	Soft-Telescopic			variant -617 left, reversible	customer-spec. door panel / *stainless steel panel
No Frost	Soft System	Infinity Swipe	Infinity Light	Ice Maker									
Frost Safe System	Smart Device	Soft-Telescopic											
EGN 9271 +61.0→	<table border="1"> <tr> <td>No Frost</td> <td>Soft System</td> <td>Infinity Swipe</td> <td>Infinity Light</td> <td>Ice Maker</td> </tr> <tr> <td>Frost Safe System</td> <td>Smart Device</td> <td>Soft-Telescopic</td> <td></td> <td></td> </tr> </table>	No Frost	Soft System	Infinity Swipe	Infinity Light	Ice Maker	Frost Safe System	Smart Device	Soft-Telescopic			variant -617 left, reversible	customer-spec. door panel / *stainless steel panel
No Frost	Soft System	Infinity Swipe	Infinity Light	Ice Maker									
Frost Safe System	Smart Device	Soft-Telescopic											
EGN 9471 +76.2→	<table border="1"> <tr> <td>No Frost</td> <td>Soft System</td> <td>Infinity Swipe</td> <td>Infinity Light</td> <td>Ice Maker</td> </tr> <tr> <td>Frost Safe System</td> <td>Smart Device</td> <td>Soft-Telescopic</td> <td></td> <td></td> </tr> </table>	No Frost	Soft System	Infinity Swipe	Infinity Light	Ice Maker	Frost Safe System	Smart Device	Soft-Telescopic			variant -617 left, reversible	customer-spec. door panel / *stainless steel panel
No Frost	Soft System	Infinity Swipe	Infinity Light	Ice Maker									
Frost Safe System	Smart Device	Soft-Telescopic											
EGN 9671 +91.4→	<table border="1"> <tr> <td>No Frost</td> <td>Soft System</td> <td>Infinity Swipe</td> <td>Infinity Light</td> <td>Ice Maker</td> </tr> <tr> <td>Frost Safe System</td> <td>Smart Device</td> <td>Soft-Telescopic</td> <td></td> <td></td> </tr> </table>	No Frost	Soft System	Infinity Swipe	Infinity Light	Ice Maker	Frost Safe System	Smart Device	Soft-Telescopic			variant -617 left, reversible	customer-spec. door panel / *stainless steel panel
No Frost	Soft System	Infinity Swipe	Infinity Light	Ice Maker									
Frost Safe System	Smart Device	Soft-Telescopic											

¹ Door hinge exchange set on page 55 required for reversing hinges. Reversals to be performed by a Liebherr authorised engineer.

² Door panel dimensions and weights on pages 52/53 & 57.

Fridge-freezers

Model	Features	Door hinges ¹ on delivery	Panels ² *optional accessories												
ECBN 9471 +76.2→	<table border="1"> <tr> <td>Bio Fresh Plus</td> <td>Duo Cooling</td> <td>No Frost</td> <td>Soft System</td> <td>Power Cooling</td> <td>Infinity Swipe</td> </tr> <tr> <td>Infinity Light</td> <td>Infinity Spring</td> <td>Ice Maker</td> <td>Frost Safe System</td> <td>Smart Device</td> <td>Soft-Telescopic</td> </tr> </table>	Bio Fresh Plus	Duo Cooling	No Frost	Soft System	Power Cooling	Infinity Swipe	Infinity Light	Infinity Spring	Ice Maker	Frost Safe System	Smart Device	Soft-Telescopic	variant -001 right, reversible variant -617 left, reversible	customer-spec. door panel / *stainless steel panel set
Bio Fresh Plus	Duo Cooling	No Frost	Soft System	Power Cooling	Infinity Swipe										
Infinity Light	Infinity Spring	Ice Maker	Frost Safe System	Smart Device	Soft-Telescopic										
ECBN 9671 +91.4→	<table border="1"> <tr> <td>Bio Fresh Plus</td> <td>Duo Cooling</td> <td>No Frost</td> <td>Soft System</td> <td>Power Cooling</td> <td>Infinity Swipe</td> </tr> <tr> <td>Infinity Light</td> <td>Infinity Spring</td> <td>Ice Maker</td> <td>Frost Safe System</td> <td>Smart Device</td> <td>Soft-Telescopic</td> </tr> </table>	Bio Fresh Plus	Duo Cooling	No Frost	Soft System	Power Cooling	Infinity Swipe	Infinity Light	Infinity Spring	Ice Maker	Frost Safe System	Smart Device	Soft-Telescopic	variant -001 right, reversible variant -617 left, reversible	customer-spec. door panel / *stainless steel panel set
Bio Fresh Plus	Duo Cooling	No Frost	Soft System	Power Cooling	Infinity Swipe										
Infinity Light	Infinity Spring	Ice Maker	Frost Safe System	Smart Device	Soft-Telescopic										
ECBN 9673 +91.4→	<table border="1"> <tr> <td>Bio Fresh Plus</td> <td>Duo Cooling</td> <td>No Frost</td> <td>Soft System</td> <td>Power Cooling</td> <td>Infinity Swipe</td> </tr> <tr> <td>Infinity Light</td> <td>Infinity Spring</td> <td>Ice Maker</td> <td>Frost Safe System</td> <td>Smart Device</td> <td>Soft-Telescopic</td> </tr> </table>	Bio Fresh Plus	Duo Cooling	No Frost	Soft System	Power Cooling	Infinity Swipe	Infinity Light	Infinity Spring	Ice Maker	Frost Safe System	Smart Device	Soft-Telescopic	variant -001 left, fixed / right, fixed (FrenchDoor)	customer-spec. door panel / *stainless steel panel set
Bio Fresh Plus	Duo Cooling	No Frost	Soft System	Power Cooling	Infinity Swipe										
Infinity Light	Infinity Spring	Ice Maker	Frost Safe System	Smart Device	Soft-Telescopic										

Wine cabinets

Model	Features	Door hinges ¹ on delivery	Panels ² *optional accessories										
EWT 9175 +45.7→	<table border="1"> <tr> <td>Soft System</td> <td>Infinity Swipe</td> <td>Infinity Light</td> <td>Smart Device</td> <td>Wine</td> </tr> <tr> <td>Soft-Telescopic</td> <td></td> <td></td> <td></td> <td></td> </tr> </table>	Soft System	Infinity Swipe	Infinity Light	Smart Device	Wine	Soft-Telescopic					variant -001 right, reversible variant -617 left, reversible	customer-spec. door panel / *stainless steel panel
Soft System	Infinity Swipe	Infinity Light	Smart Device	Wine									
Soft-Telescopic													
EWT 9275 +61.0→	<table border="1"> <tr> <td>Soft System</td> <td>Infinity Swipe</td> <td>Infinity Light</td> <td>Smart Device</td> <td>Wine</td> </tr> <tr> <td>Soft-Telescopic</td> <td></td> <td></td> <td></td> <td></td> </tr> </table>	Soft System	Infinity Swipe	Infinity Light	Smart Device	Wine	Soft-Telescopic					variant -001 right, reversible variant -617 left, reversible	customer-spec. door panel / *stainless steel panel
Soft System	Infinity Swipe	Infinity Light	Smart Device	Wine									
Soft-Telescopic													

Side-by-Side combinations

The Monolith series offers a range of options for your new dream kitchen, as a stand-alone unit or a Side-by-Side combination, consisting of two or more appliances. Discreetly installed behind the respective kitchen panels or as a visible design highlight enhanced with matt polish stainless steel panels and selected handles, the possibilities for optimal storage of foods and wine are endless. Some common combinations are listed below as an example.

The Side-by-Side set on page 54 is required if there is less than 102 mm spacing between appliances. Please refer to page 59 for detailed information about the cut-out niche measurements.

Examples

(all depicted with a stainless steel panel and angular handle made of brushed aluminium, available as an accessory)

Cut-out width 106.7 cm



EGN 9171 | EKB 9271

Cut-out width 121.9 cm



EWT 9175 | ECBN 9471

Cut-out width 182.9 cm



ECBN 9671 | ECBN 9671

Cut-out width 213.4 cm



EGN 9471 | EWT 9275 | EKB 9471

Cut-out width 137.2 cm



EWT 9275 | EKB 9471

Cut-out width 152.4 cm



EGN 9471 | EKB 9471

Cut-out width 243.8 cm



ECBN 9671 | EWT 9275 | ECBN 9671

Cut-out width 274.3 cm



EWT 9175 | EGN 9671 | EKB 9671 | EWT 9175

Refrigerators

EGN 9171 | EKB 9471



InfinitySwipe

The InfinitySwipe electronic touch control consists of a bright and clear 3.5 inch display and, with "touch & swipe" technology, is intuitive to use.



SmartDevice

The Monolith is supplied with a SmartDeviceBox which establishes a connection between a smartphone or tablet and the Monolith. This allows settings and functions to be activated also while you are on the move. Push messages report, for example, open doors.*

*SmartDevice functions not available in all countries.



BioFresh-Plus

At a temperature of slightly above 0 °C and in controllable humidity, fruit and vegetables, meat and dairy products keep fresh for considerably longer than in a conventional refrigeration compartment as a result of BioFresh technology. While the practical FlexSystem helps with the sorting and clear organisation in the preferred BioFresh safe, the InfinityBeam LED lighting ensures perfect illumination of the BioFresh safes. The third BioFresh safe in the Monolith goes a step further: Here it can reach temperatures of -2 °C, ideal for the storage of fresh fish and seafood. However, drinks can also be cooled down quickly in this safe. All BioFresh safes are equipped with SoftTelescopic, the convenient self-closing mechanism gentle cushioned door closure, making it practical and safe for everyday use.



InfinitySpring

The InfinitySpring water dispenser is flush-mounted, making it virtually invisible and allows standard-sized containers to be filled with cold water. A replaceable water filter ensures a constant supply of pure water. This is easily accessible and is located in the front section of the appliance plinth.



PowerCooling

The high-performance PowerCooling system ensures rapid and even cooling of food in the interior and – due to the special air ducting – also of food stored in the door racks. The integrated FreshAir activated charcoal filter prevents odours from forming and cleans the incoming air.



InfinityLight

The full-surface integrated LED lighting on the side wall creates an elegant and even light throughout the entire refrigeration compartment. This produces a soft light when the door is opened. The stunning InfinityLight not only adds flair, but thanks to the reduced heat emission, also protects the quality of the food.



Flexible door rack & storage shelves

The generous door racks provide plenty of space even for very large bottles and containers with a volume of several litres. All storage shelves in the interior are made from safety glass and are easily height-adjustable. This provides plenty of scope for use to meet your needs and individual requirements.



← 61.0 →

EKB 9271

Energy efficiency class	E
Energy consumption in kWh (year / 24h)	156 / 0.427
Noise output in dB(A) / Noise class	37 / C
Total volume* in litres	335
Volume of refrigerator compartment in litres	192.9
Volume of BioFresh compartment in litres	142.4
Number of storage shelves, of which height-adjustable	4 / 3
Number of door racks	3
Number of BioFresh / BioFresh-Plus safes with LED lighting	2 / 1
Electronic control system	InfinitySwipe
Automatic SuperCool function	yes
Temperature range of refrigerator in °C	+2 °C to +7 °C
Defrosting method	automatic
Interior lighting	InfinityLight
Integrated water dispenser	no
Water filter	no
Door hinge	right, reversible**
Appliance dimensions in cm (H/W/D)	212.6 / 60.2 / 61
Recess dimensions in cm (H/W/D)	213.4 / 61 / 63.5
Net weight in kg	152.0
Voltage in V~ / Connected load in A	220-240 / 1.5



* In accordance with Regulation EU 2019/2016, we indicate the total volume to the nearest integer (rounded off) and the volume of the frozen compartments and refrigeration compartments to one place after the decimal point.

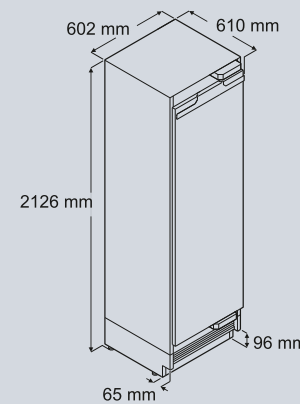
** Please contact the authorised Liebherr Monolith customer service for reversing the door hinge. You can find the full range of efficiency classes on page 64. As per (EU) 2017/1369 6a.

Optional accessories

- Flat brushed aluminium handle
- Square brushed aluminium handle
- Round stainless steel handle
- Stainless steel panel
- Stainless steel plinth panel
- Side-by-Side set
- Door hinge exchange set

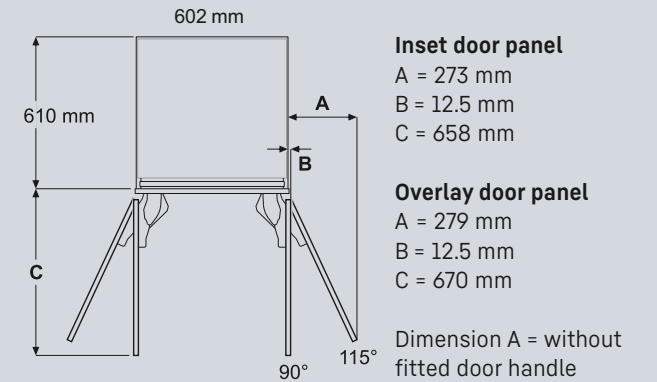
Optional accessories on page 52-55.

Appliance dimensions



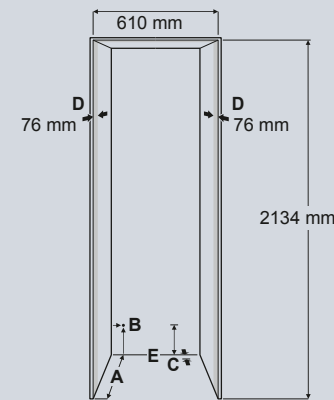
IMPORTANT!

The adjustable feet are fully retracted for the minimum height stated. The appliance height is raised by turning the adjustable feet. Once the appliance has been positioned in the recess, it is raised using the adjustable feet – in each case from the front of the appliance – so that the appliance comes into contact with the anti-tipping device. To achieve the minimal plinth panel height of 102 mm, the adjustable feet have to be raised by 6 to 8 mm. If the plinth panel should be higher than 102 mm, the adjustable feet can be raised by a maximum of 19 mm.

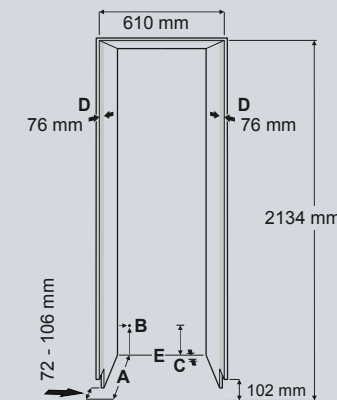


Recess dimensions

Individual plinth panel



Continuous plinth panel



A

Unit depth
with overlay door panel installation: 635 mm
with inset door panel installation: 635 mm + thickness of the custom panel. Further details on page 57.

B

Point at which the mains cable exits from the rear of the appliance (19 mm from the left and 127 mm from the floor). The free length of the mains cable is 2.5 m.

C

The appliance has a recess in this area for cable and water line routing: Depth is 25 mm, and height 140 mm across the entire appliance width.

D

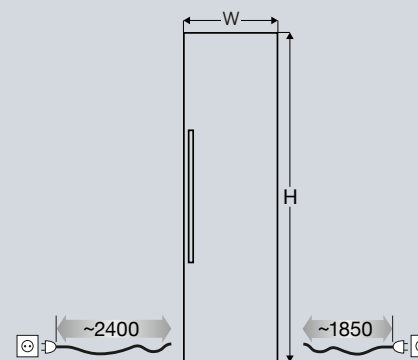
This surface is visible when the appliance door is opened. Designed finish is therefore recommended.

E

The anti-tipping device positioned at the base of the appliance must be secured to the floor or to the wall.

Door panel dimensions

and dimensions of free length for power



Inset installation

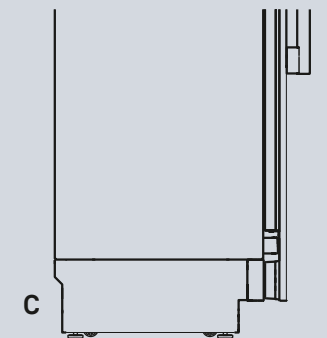
H = 2029 mm
W = 603 mm

Overlay installation

H = 2032 mm
(plus the dimensions of overlapping of the panel on the top)
W = 610 mm
(plus the dimensions of overlapping of the panel on both sides)

Thickness of the panel: min. 16 mm* / max. 30 mm
Weight of panel: max. 30 kg

Installations behind the appliance are not possible.



* If a five-piece shaker style panel is used, which is thinner than the minimum panel thickness, shorter screws than those supplied in the accessory pack must be used.

For further relevant planning and safety requirements, see pages 56-63.



EKB 9471

Energy efficiency class	E
Energy consumption in kWh (year / 24h)	171 / 0.468
Noise output in dB(A) / Noise class	37 / C
Total volume* in litres	440
Volume of refrigerator compartment in litres	250.5
Volume of BioFresh compartment in litres	190.3
Number of storage shelves, of which height-adjustable	4 / 3
Number of door racks	3
Number of BioFresh / BioFresh-Plus safes with LED lighting	2 / 1
Electronic control system	InfinitySwipe
Automatic SuperCool function	yes
Temperature range of refrigerator in °C	+2 °C to +7 °C
Defrosting method	automatic
Interior lighting	InfinityLight
Integrated water dispenser / Fixed water connection 3/4"	InfinitySpring
Water filter	yes
Door hinge	right, reversible**
Appliance dimensions in cm (H/W/D)	212.6 / 75.4 / 61
Recess dimensions in cm (H/W/D)	213.4 / 76.2 / 63.5
Net weight in kg	179.0
Voltage in V~ / Connected load in A	220-240 / 1.5



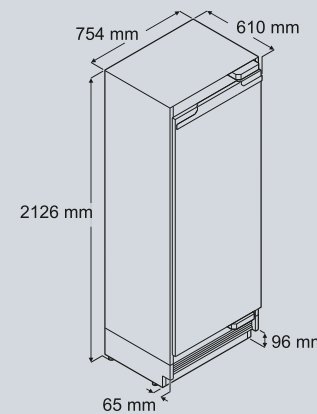
* In accordance with Regulation EU 2019/2016, we indicate the total volume to the nearest integer (rounded off) and the volume of the frozen compartments and refrigeration compartments to one place after the decimal point.
 ** Please contact the authorised Liebherr Monolith customer service for reversing the door hinge. You can find the full range of efficiency classes on page 64. As per (EU) 2017/1369 6a.

Optional accessories

- Flat brushed aluminium handle
- Square brushed aluminium handle
- Round stainless steel handle
- Stainless steel panel
- Stainless steel plinth panel
- Side-by-Side set
- Door hinge exchange set

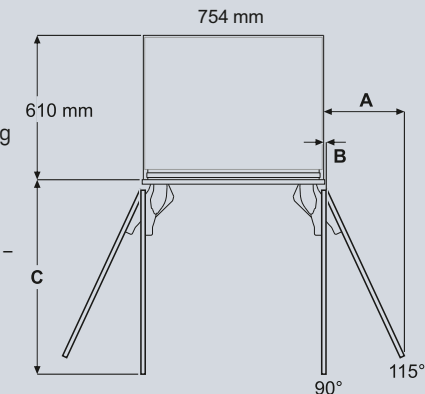
Optional accessories on page 52-55.

Appliance dimensions



IMPORTANT!

The adjustable feet are fully retracted for the minimum height stated. The appliance height is raised by turning the adjustable feet. Once the appliance has been positioned in the recess, it is raised using the adjustable feet – in each case from the front of the appliance – so that the appliance comes into contact with the anti-tipping device. To achieve the minimal plinth panel height of 102 mm, the adjustable feet have to be raised by 6 to 8 mm. If the plinth panel should be higher than 102 mm, the adjustable feet can be raised by a maximum of 19 mm.



Inset door panel

A = 337 mm
 B = 12.5 mm
 C = 810 mm

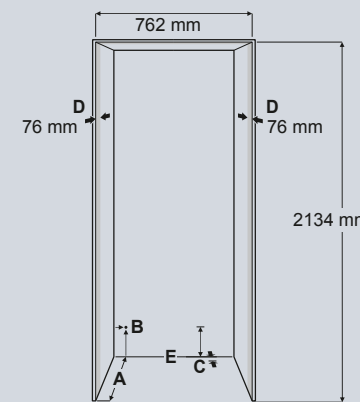
Overlay door panel

A = 343 mm
 B = 12.5 mm
 C = 822 mm

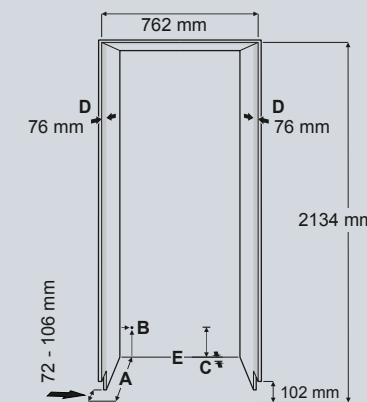
Dimension A = without fitted door handle

Recess dimensions

Individual plinth panel



Continuous plinth panel



A

Unit depth
 with overlay door panel installation: 635 mm
 with inset door panel installation: 635 mm + thickness of the custom panel. Further details on page 57.

B

Point at which the mains cable exits from the rear of the appliance (19 mm from the left and 127 mm from the floor). The free length of the mains cable is 2.5 m.

C

The appliance has a recess in this area for cable and water line routing: Depth is 25 mm, and height 140 mm across the entire appliance width.

D

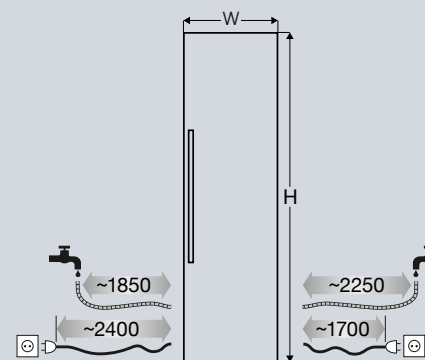
This surface is visible when the appliance door is opened. Designed finish is therefore recommended.

E

The anti-tipping device positioned at the base of the appliance must be secured to the floor or to the wall.

Door panel dimensions

and dimensions of free length for power / water



Inset installation

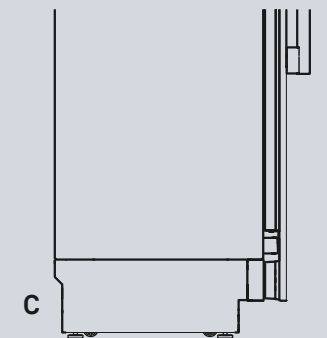
H = 2029 mm
 W = 756 mm

Overlay installation

H = 2032 mm
 (plus the dimensions of overlapping of the panel on the top)
 W = 762 mm
 (plus the dimensions of overlapping of the panel on both sides)

Thickness of the panel: min. 16 mm* / max. 30 mm
 Weight of panel: max. 35 kg

Installations behind the appliance are not possible.



* If a five-piece shaker style panel is used, which is thinner than the minimum panel thickness, shorter screws than those supplied in the accessory pack must be used.

For further relevant planning and safety requirements, see pages 56-63.



EKB 9671

Energy efficiency class	E
Energy consumption in kWh (year / 24h)	185 / 0.506
Noise output in dB(A) / Noise class	37 / C
Total volume* in litres	542
Volume of refrigerator compartment in litres	308.0
Volume of BioFresh compartment in litres	234.8
Number of storage shelves, of which height-adjustable	4 / 3
Number of door racks	3
Number of BioFresh / BioFresh-Plus safes with LED lighting	2 / 1
Electronic control system	InfinitySwipe
Automatic SuperCool function	yes
Temperature range of refrigerator in °C	+2 °C to +7 °C
Defrosting method	automatic
Interior lighting	InfinityLight
Integrated water dispenser / Fixed water connection 3/4"	InfinitySpring
Water filter	yes
Door hinge	right, reversible**
Appliance dimensions in cm (H/W/D)	212.6 / 90.6 / 61
Recess dimensions in cm (H/W/D)	213.4 / 91.4 / 63.5
Net weight in kg	198.0
Voltage in V- / Connected load in A	220-240 / 1.5



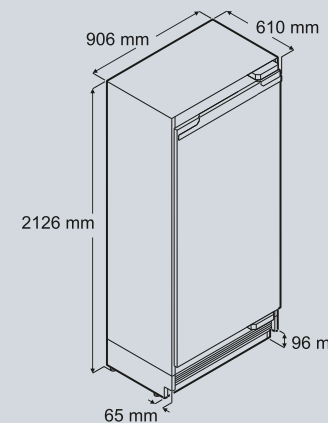
* In accordance with Regulation EU 2019/2016, we indicate the total volume to the nearest integer (rounded off) and the volume of the frozen compartments and refrigeration compartments to one place after the decimal point.
 ** Please contact the authorised Liebherr Monolith customer service for reversing the door hinge. You can find the full range of efficiency classes on page 64. As per (EU) 2017/1369 6a.

Optional accessories

- Flat brushed aluminium handle
- Square brushed aluminium handle
- Round stainless steel handle
- Stainless steel panel
- Stainless steel plinth panel
- Side-by-Side set
- Door hinge exchange set

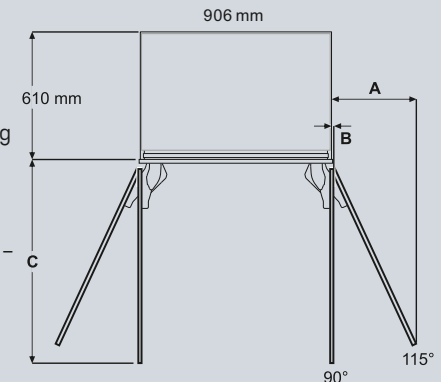
Optional accessories on page 52-55.

Appliance dimensions



IMPORTANT!

The adjustable feet are fully retracted for the minimum height stated. The appliance height is raised by turning the adjustable feet. Once the appliance has been positioned in the recess, it is raised using the adjustable feet – in each case from the front of the appliance – so that the appliance comes into contact with the anti-tipping device. To achieve the minimal plinth panel height of 102 mm, the adjustable feet have to be raised by 6 to 8 mm. If the plinth panel should be higher than 102 mm, the adjustable feet can be raised by a maximum of 19 mm.



Inset door panel

- A = 400 mm
- B = 12.5 mm
- C = 962 mm

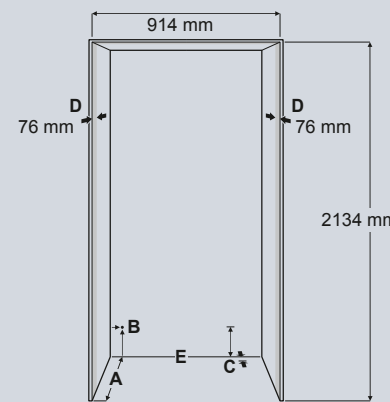
Overlay door panel

- A = 406 mm
- B = 12.5 mm
- C = 975 mm

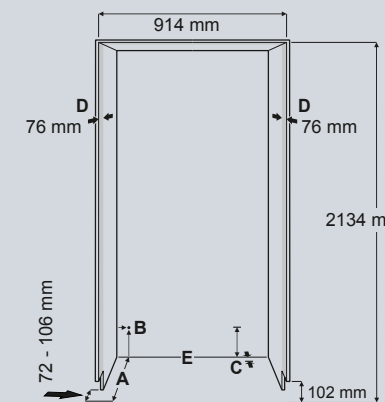
Dimension A = without fitted door handle

Recess dimensions

Individual plinth panel



Continuous plinth panel



A

Unit depth
 with overlay door panel installation: 635 mm
 with inset door panel installation: 635 mm + thickness of the custom panel. Further details on page 57.

B

Point at which the mains cable exits from the rear of the appliance (19 mm from the left and 127 mm from the floor). The free length of the mains cable is 2.5 m.

C

The appliance has a recess in this area for cable and water line routing: Depth is 25 mm, and height 140 mm across the entire appliance width.

D

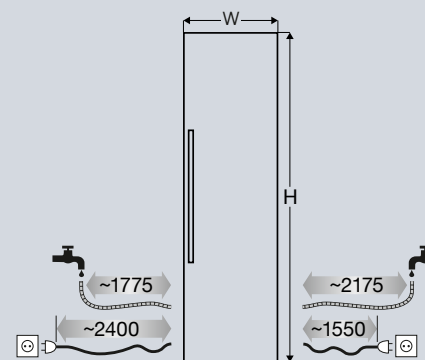
This surface is visible when the appliance door is opened. Designed finish is therefore recommended.

E

The anti-tipping device positioned at the base of the appliance must be secured to the floor or to the wall.

Door panel dimensions

and dimensions of free length for power / water



Inset installation

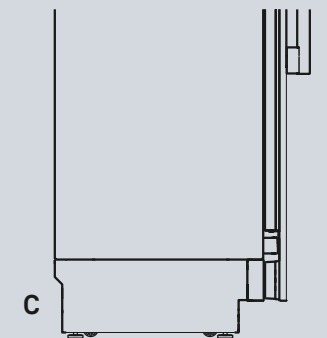
- H = 2029 mm
- W = 908 mm

Overlay installation

- H = 2032 mm (plus the dimensions of overlapping of the panel on the top)
- W = 914 mm (plus the dimensions of overlapping of the panel on both sides)

Thickness of the panel: min. 16 mm* / max. 30 mm
 Weight of panel: max. 40 kg

Installations behind the appliance are not possible.



* If a five-piece shaker style panel is used, which is thinner than the minimum panel thickness, shorter screws than those supplied in the accessory pack must be used.

For further relevant planning and safety requirements, see pages 56-63.

Freezers

EKN 9171 | EKB 9471



SoftSystem

Thanks to the SoftSystem closing damping, the doors close gently and quietly even when fully loaded. Depending on the size of the Monolith, its door hinges can hold up to 40 kg.



IceMaker

The automatic IceMaker creates 1.6 kg of filtered ice in 24 hours. The production capacity can be increased even further by activating the SuperFrost function. With a storage volume of 1.8 kg to 3.5 kg (depending on the model), there is always sufficient ice available. A replaceable water filter is located in the front section of the appliance plinth and is easily accessible.



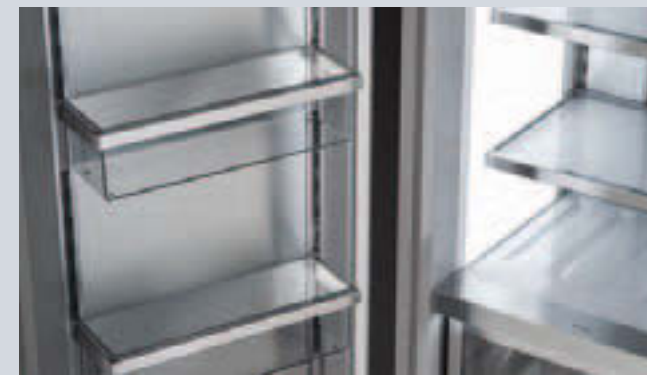
InfinityLight

The full-surface integrated LED lighting on the side wall creates an elegant and even light throughout the entire freezer compartment. This produces a soft light when the door is opened. The stunning InfinityLight not only adds flair, but thanks to the reduced heat emission, also protects the quality of the food.



NoFrost

NoFrost technology freezes frozen food with cooled re-circulated air and removes the humidity. This keeps the freezer compartment ice-free at all times, and food is no longer covered in frost. NoFrost convenience means defrosting is no longer necessary. The enclosed removable freezer drawers of the FrostSafe system protect the frozen food from unwanted air exchange and from the loss of cold air when the door is opened. The drawers are transparent and fitted with telescopic rails and the InfinityBeam LED lighting to provide a perfect overview. All drawers are equipped with SoftTelescopic: the convenient self-closing mechanism gentle cushioned door closure, making it practical and safe for everyday use.



Flexible door rack

In the Monolith, food is stored not only in innovative, smooth-running freezer drawers but also in the door. The transparent door racks in the freezer door are height-adjustable, providing lots of space for smaller items. The special air ducting system in the freezer area ensures that the cold air is able to move constantly. This keeps the temperature constant, which optimises food storage.



SuperFrost

The SuperFrost function quickly lowers the temperature to preserve vitamins when freezing. Once the freezing is complete, it switches back to normal operation after a maximum of 65 hours and helps save electricity. This and other functions can also be easily controlled via SmartDevice services when you are on the move.*

*SmartDevice functions not available in all countries.



EGN 9171

Energy efficiency class	F
Energy consumption in kWh (year / 24h)	311 / 0.851
Noise output in dB(A) / Noise class	37 / C
Total volume* in litres	245
Number of storage shelves, of which height-adjustable	4 / 3
Number of door racks	3
Number of FrostSafe drawers	3
Electronic control system	InfinitySwipe
Automatic SuperFrost function	yes
Temperature range of freezer in °C	-14 °C to -27 °C
Defrosting method	automatic
Interior lighting	InfinityLight
IceMaker	fixed water connection 3 / 4"
Water filter	yes
Ice cube production in 24 h / in kg	1.3
Ice cube storage capacity in kg	1.8
Storage time in event of a fault in hours	8
Freezing capacity in 24 h / in kg	16
Door hinge	left, reversible**
Appliance dimensions in cm (H / W / D)	212.6 / 45 / 61
Recess dimensions in cm (H / W / D)	213.4 / 45.7 / 63.5
Net weight in kg	136.0
Voltage in V~ / Connected load in A	220-240 / 2.0



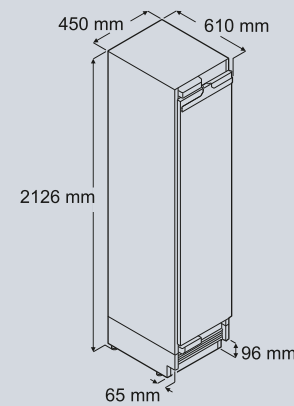
* In accordance with Regulation EU 2019/2016, we indicate the total volume to the nearest integer (rounded off).
 ** Please contact the authorised Liebherr Monolith customer service for reversing the door hinge. You can find the full range of efficiency classes on page 64. As per (EU) 2017/1369 6a.

Optional accessories

- Flat brushed aluminium handle
- Square brushed aluminium handle
- Round stainless steel handle
- Stainless steel panel
- Stainless steel plinth panel
- Side-by-Side set
- Door hinge exchange set

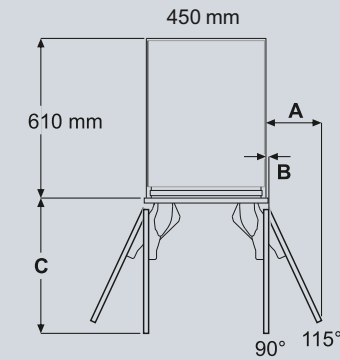
Optional accessories on page 52-55.

Appliance dimensions



IMPORTANT!

The adjustable feet are fully retracted for the minimum height stated. The appliance height is raised by turning the adjustable feet. Once the appliance has been positioned in the recess, it is raised using the adjustable feet – in each case from the front of the appliance – so that the appliance comes into contact with the anti-tipping device. To achieve the minimal plinth panel height of 102 mm, the adjustable feet have to be raised by 6 to 8 mm. If the plinth panel should be higher than 102 mm, the adjustable feet can be raised by a maximum of 19 mm.



Inset door panel

- A = 210 mm
- B = 12.5 mm
- C = 505 mm

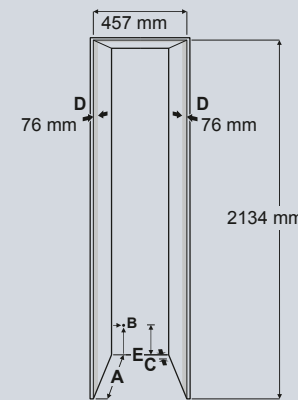
Overlay door panel

- A = 216 mm
- B = 12.5 mm
- C = 517 mm

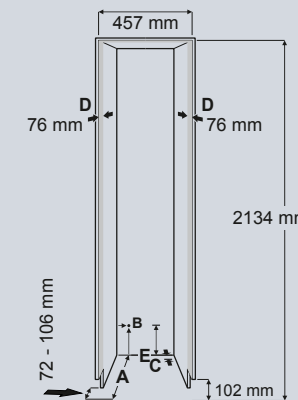
Dimension A = without fitted door handle

Recess dimensions

Individual plinth panel



Continuous plinth panel



A

Unit depth
 with overlay door panel installation: 635 mm
 with inset door panel installation: 635 mm + thickness of the custom panel. Further details on page 57.

B

Point at which the mains cable exits from the rear of the appliance (19 mm from the left and 127 mm from the floor). The free length of the mains cable is 2.5 m.

C

The appliance has a recess in this area for cable and water line routing: Depth is 25 mm, and height 140 mm across the entire appliance width.

D

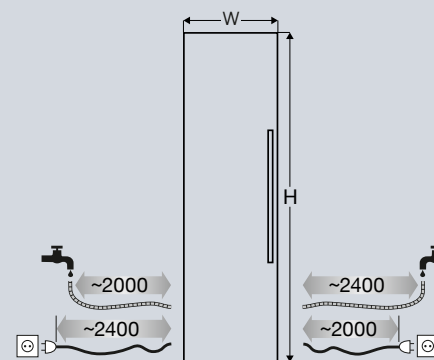
This surface is visible when the appliance door is opened. Designed finish is therefore recommended.

E

The anti-tipping device positioned at the base of the appliance must be secured to the floor or to the wall.

Door panel dimensions

and dimensions of free length for power / water



Inset installation

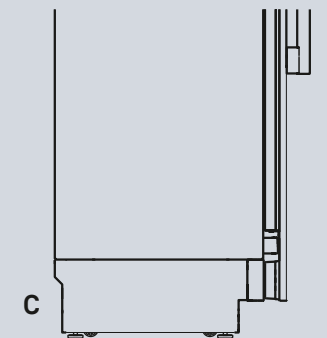
- H = 2029 mm
- W = 451 mm

Overlay installation

- H = 2032 mm (plus the dimensions of overlapping of the panel on the top)
- W = 457 mm (plus the dimensions of overlapping of the panel on both sides)

Thickness of the panel: min. 16 mm* / max. 30 mm
 Weight of panel: max. 25 kg

Installations behind the appliance are not possible.



* If a five-piece shaker style panel is used, which is thinner than the minimum panel thickness, shorter screws than those supplied in the accessory pack must be used.

For further relevant planning and safety requirements, see pages 56-63.



←61.0→

EGN 9271

Energy efficiency class	F
Energy consumption in kWh (year / 24h)	359 / 0.984
Noise output in dB(A) / Noise class	37 / C
Total volume* in litres	352
Number of storage shelves, of which height-adjustable	4 / 3
Number of door racks	3
Number of FrostSafe drawers	3
Electronic control system	InfinitySwipe
Automatic SuperFrost function	yes
Temperature range of freezer in °C	-14 °C to -27 °C
Defrosting method	automatic
Interior lighting	InfinityLight
IceMaker	fixed water connection 3 / 4"
Water filter	yes
Ice cube production in 24 h / in kg	1.1
Ice cube storage capacity in kg	2.4
Storage time in event of a fault in hours	18
Freezing capacity in 24 h / in kg	12
Door hinge	left, reversible**
Appliance dimensions in cm (H / W / D)	212.6 / 60.2 / 61
Recess dimensions in cm (H / W / D)	213.4 / 61 / 63.5
Net weight in kg	156.0
Voltage in V~ / Connected load in A	220-240 / 2.0



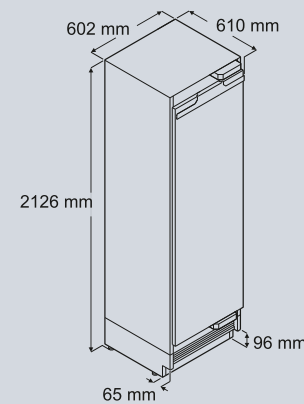
* In accordance with Regulation EU 2019/2016, we indicate the total volume to the nearest integer (rounded off).
 ** Please contact the authorised Liebherr Monolith customer service for reversing the door hinge. You can find the full range of efficiency classes on page 64. As per (EU) 2017/1369 6a.

Optional accessories

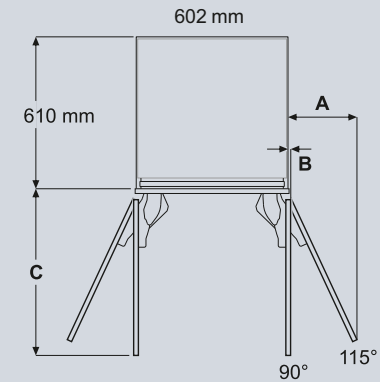
- Flat brushed aluminium handle
- Square brushed aluminium handle
- Round stainless steel handle
- Stainless steel panel
- Stainless steel plinth panel
- Side-by-Side set
- Door hinge exchange set

Optional accessories on page 52-55.

Appliance dimensions



IMPORTANT!
 The adjustable feet are fully retracted for the minimum height stated. The appliance height is raised by turning the adjustable feet. Once the appliance has been positioned in the recess, it is raised using the adjustable feet – in each case from the front of the appliance – so that the appliance comes into contact with the anti-tipping device. To achieve the minimal plinth panel height of 102 mm, the adjustable feet have to be raised by 6 to 8 mm. If the plinth panel should be higher than 102 mm, the adjustable feet can be raised by a maximum of 19 mm.



Inset door panel

A = 273 mm
 B = 12.5 mm
 C = 658 mm

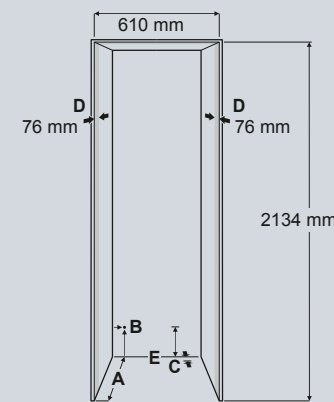
Overlay door panel

A = 279 mm
 B = 12.5 mm
 C = 670 mm

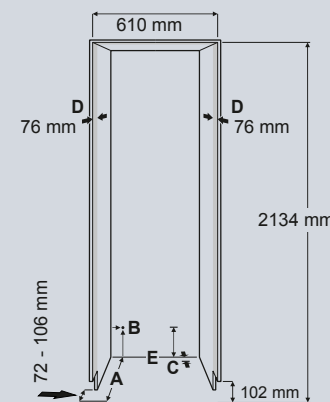
Dimension A = without fitted door handle

Recess dimensions

Individual plinth panel



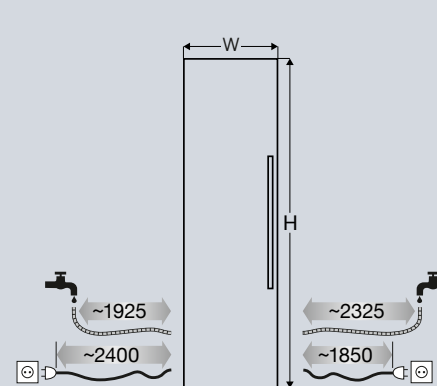
Continuous plinth panel



- A** Unit depth
 with overlay door panel installation: 635 mm
 with inset door panel installation: 635 mm + thickness of the custom panel. Further details on page 57.
- B** Point at which the mains cable exits from the rear of the appliance (19 mm from the left and 127 mm from the floor). The free length of the mains cable is 2.5 m.
- C** The appliance has a recess in this area for cable and water line routing: Depth is 25 mm, and height 140 mm across the entire appliance width.
- D** This surface is visible when the appliance door is opened. Designed finish is therefore recommended.
- E** The anti-tipping device positioned at the base of the appliance must be secured to the floor or to the wall.

Door panel dimensions

and dimensions of free length for power / water



Inset installation

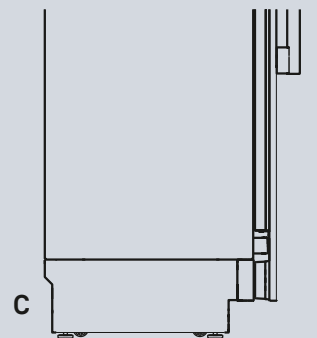
H = 2029 mm
 W = 603 mm

Overlay installation

H = 2032 mm
 (plus the dimensions of overlapping of the panel on the top)
 W = 610 mm
 (plus the dimensions of overlapping of the panel on both sides)

Thickness of the panel: min. 16 mm* / max. 30 mm
 Weight of panel: max. 30 kg

Installations behind the appliance are not possible.



* If a five-piece shaker style panel is used, which is thinner than the minimum panel thickness, shorter screws than those supplied in the accessory pack must be used.

For further relevant planning and safety requirements, see pages 56-63.



←76.2→

EGN 9471

Energy efficiency class	F
Energy consumption in kWh (year / 24h)	407 / 1.115
Noise output in dB(A) / Noise class	38 / C
Total volume* in litres	457
Number of storage shelves, of which height-adjustable	4 / 3
Number of door racks	3
Number of FrostSafe drawers	3
Electronic control system	InfinitySwipe
Automatic SuperFrost function	yes
Temperature range of freezer in °C	-14 °C to -27 °C
Defrosting method	automatic
Interior lighting	InfinityLight
IceMaker	fixed water connection 3 / 4"
Water filter	yes
Ice cube production in 24 h / in kg	1.1
Ice cube storage capacity in kg	3.0
Storage time in event of a fault in hours	18
Freezing capacity in 24 h / in kg	22
Door hinge	left, reversible**
Appliance dimensions in cm (H / W / D)	212.6 / 75.4 / 61
Recess dimensions in cm (H / W / D)	213.4 / 76.2 / 63.5
Net weight in kg	161.0
Voltage in V~ / Connected load in A	220-240 / 2.0



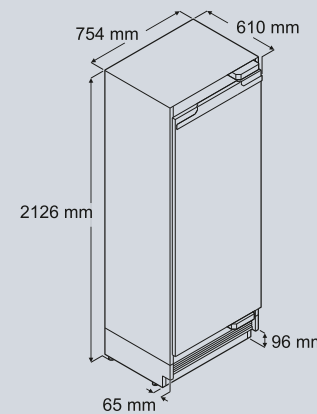
* In accordance with Regulation EU 2019/2016, we indicate the total volume to the nearest integer (rounded off).
 ** Please contact the authorised Liebherr Monolith customer service for reversing the door hinge. You can find the full range of efficiency classes on page 64. As per (EU) 2017/1369 6a.

Optional accessories

- Flat brushed aluminium handle
- Square brushed aluminium handle
- Round stainless steel handle
- Stainless steel panel
- Stainless steel plinth panel
- Side-by-Side set
- Door hinge exchange set

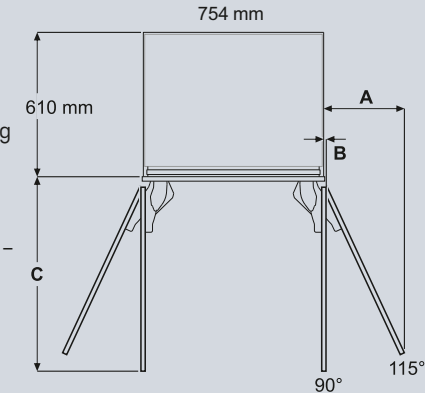
Optional accessories on page 52-55.

Appliance dimensions



IMPORTANT!

The adjustable feet are fully retracted for the minimum height stated. The appliance height is raised by turning the adjustable feet. Once the appliance has been positioned in the recess, it is raised using the adjustable feet – in each case from the front of the appliance – so that the appliance comes into contact with the anti-tipping device. To achieve the minimal plinth panel height of 102 mm, the adjustable feet have to be raised by 6 to 8 mm. If the plinth panel should be higher than 102 mm, the adjustable feet can be raised by a maximum of 19 mm.



Inset door panel

- A = 337 mm
- B = 12.5 mm
- C = 810 mm

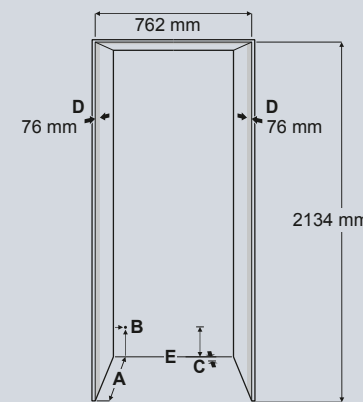
Overlay door panel

- A = 343 mm
- B = 12.5 mm
- C = 822 mm

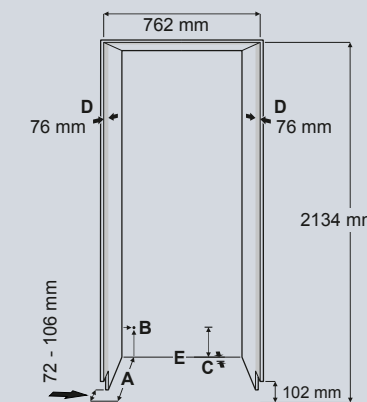
Dimension A = without fitted door handle

Recess dimensions

Individual plinth panel



Continuous plinth panel



A

Unit depth
 with overlay door panel installation: 635 mm
 with inset door panel installation: 635 mm + thickness of the custom panel. Further details on page 57.

B

Point at which the mains cable exits from the rear of the appliance (19 mm from the left and 127 mm from the floor). The free length of the mains cable is 2.5 m.

C

The appliance has a recess in this area for cable and water line routing: Depth is 25 mm, and height 140 mm across the entire appliance width.

D

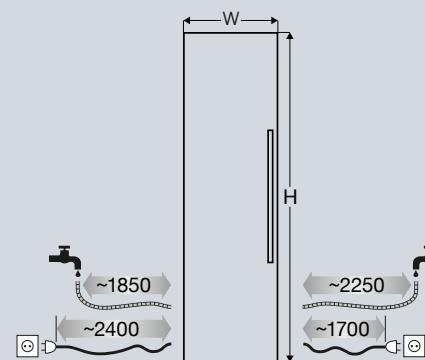
This surface is visible when the appliance door is opened. Designed finish is therefore recommended.

E

The anti-tipping device positioned at the base of the appliance must be secured to the floor or to the wall.

Door panel dimensions

and dimensions of free length for power / water



Inset installation

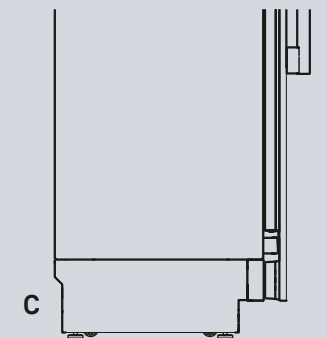
- H = 2029 mm
- W = 756 mm

Overlay installation

- H = 2032 mm (plus the dimensions of overlapping of the panel on the top)
- W = 762 mm (plus the dimensions of overlapping of the panel on both sides)

Thickness of the panel: min. 16 mm* / max. 30 mm
 Weight of panel: max. 35 kg

Installations behind the appliance are not possible.



* If a five-piece shaker style panel is used, which is thinner than the minimum panel thickness, shorter screws than those supplied in the accessory pack must be used.

For further relevant planning and safety requirements, see pages 56-63.



←91.4→

EGN 9671

Energy efficiency class	F
Energy consumption in kWh (year / 24h)	456 / 1.250
Noise output in dB(A) / Noise class	37 / C
Total volume* in litres	564
Number of storage shelves, of which height-adjustable	4 / 3
Number of door racks	3
Number of FrostSafe drawers	3
Electronic control system	InfinitySwipe
Automatic SuperFrost function	yes
Temperature range of freezer in °C	-14 °C to -27 °C
Defrosting method	automatic
Interior lighting	InfinityLight
IceMaker	fixed water connection 3 / 4"
Water filter	yes
Ice cube production in 24 h / in kg	1.3
Ice cube storage capacity in kg	3.5
Storage time in event of a fault in hours	19
Freezing capacity in 24 h / in kg	26
Door hinge	left, reversible**
Appliance dimensions in cm (H / W / D)	212.6 / 90.6 / 61
Recess dimensions in cm (H / W / D)	213.4 / 91.4 / 63.5
Net weight in kg	191.0
Voltage in V~ / Connected load in A	220-240 / 2.0



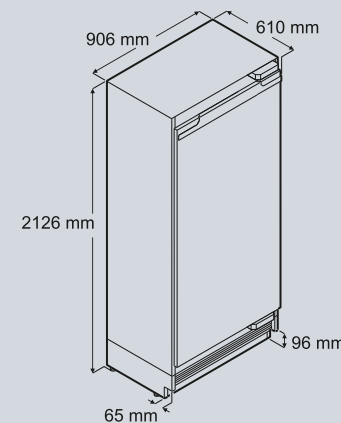
* In accordance with Regulation EU 2019/2016, we indicate the total volume to the nearest integer (rounded off).
 ** Please contact the authorised Liebherr Monolith customer service for reversing the door hinge. You can find the full range of efficiency classes on page 64. As per (EU) 2017/1369 6a.

Optional accessories

- Flat brushed aluminium handle
- Square brushed aluminium handle
- Round stainless steel handle
- Stainless steel panel
- Stainless steel plinth panel
- Side-by-Side set
- Door hinge exchange set

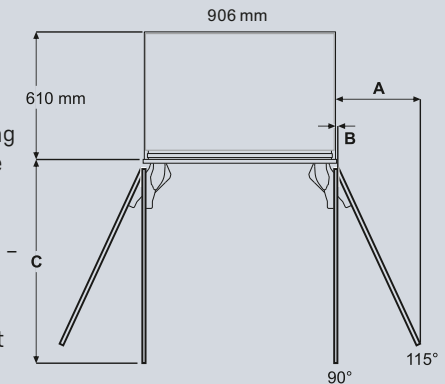
Optional accessories on page 52-55.

Appliance dimensions



IMPORTANT!

The adjustable feet are fully retracted for the minimum height stated. The appliance height is raised by turning the adjustable feet. Once the appliance has been positioned in the recess, it is raised using the adjustable feet – in each case from the front of the appliance – so that the appliance comes into contact with the anti-tipping device. To achieve the minimal plinth panel height of 102 mm, the adjustable feet have to be raised by 6 to 8 mm. If the plinth panel should be higher than 102 mm, the adjustable feet can be raised by a maximum of 19 mm.



Inset door panel

- A = 400 mm
- B = 12.5 mm
- C = 962 mm

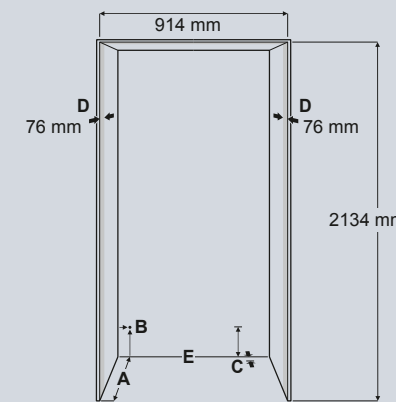
Overlay door panel

- A = 406 mm
- B = 12.5 mm
- C = 975 mm

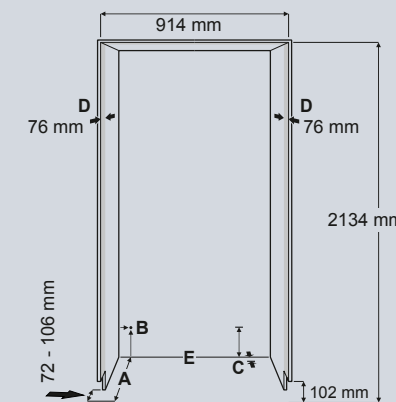
Dimension A = without fitted door handle

Recess dimensions

Individual plinth panel



Continuous plinth panel



A

Unit depth
 with overlay door panel installation: 635 mm
 with inset door panel installation: 635 mm + thickness of the custom panel. Further details on page 57.

B

Point at which the mains cable exits from the rear of the appliance (19 mm from the left and 127 mm from the floor). The free length of the mains cable is 2.5 m.

C

The appliance has a recess in this area for cable and water line routing: Depth is 25 mm, and height 140 mm across the entire appliance width.

D

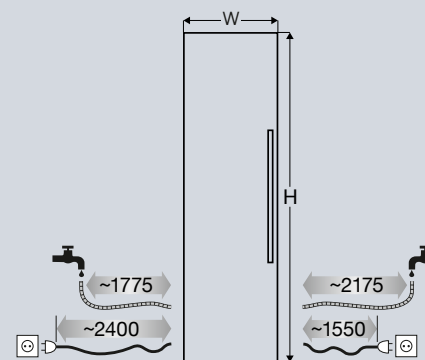
This surface is visible when the appliance door is opened. Designed finish is therefore recommended.

E

The anti-tipping device positioned at the base of the appliance must be secured to the floor or to the wall.

Door panel dimensions

and dimensions of free length for power / water



Inset installation

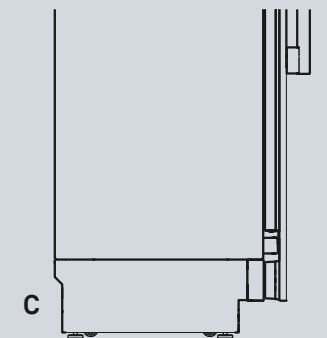
- H = 2029 mm
- W = 908 mm

Overlay installation

- H = 2032 mm (plus the dimensions of overlapping of the panel on the top)
- W = 914 mm (plus the dimensions of overlapping of the panel on both sides)

Thickness of the panel: min. 16 mm* / max. 30 mm
 Weight of panel: max. 40 kg

Installations behind the appliance are not possible.



* If a five-piece shaker style panel is used, which is thinner than the minimum panel thickness, shorter screws than those supplied in the accessory pack must be used.

For further relevant planning and safety requirements, see pages 56-63.

Fridge-freezers



ECBN 9673 | FrenchDoor





InfinitySwipe

The InfinitySwipe electronic touch control consists of a bright and clear 3.5 inch display and, with "touch & swipe" technology, is intuitive to use.



DuoCooling

With two independently controlled cooling circuits, DuoCooling controls the temperature in fridge-freezers separately and with precision for the refrigerator and freezer compartments. There is no air exchange between the refrigerator and freezer compartments. Odour transfer is prevented and stored foods do not dry out.



InfinityLight

The full-surface integrated LED lighting on the side wall creates an elegant and even light throughout the entire refrigeration compartment. This produces a soft light when the door is opened. The stunning InfinityLight not only adds flair, but thanks to the reduced heat emission, also protects the quality of the food.



Individually opening doors

With two completely noiseless and independently opening and closing doors, you can enjoy a refrigeration volume of almost 326 litres with the FrenchDoor fridge-freezer. The unique FrenchDoor sealing system by Liebherr ensures that every door is always completely closed. This means that you save energy and always have the right temperature in your refrigerator compartment.



InfinitySpring

The InfinitySpring water dispenser is flush-mounted, making it virtually invisible and allows standard-sized containers to be filled with cold water. A replaceable water filter ensures a constant supply of pure water. This is easily accessible and is located in the front section of the appliance plinth.



BioFresh-Plus

BioFresh-Plus guarantees the perfect climate for much longer freshness. The BioFresh-Plus safe can be variably divided into different temperature zones and therefore used for different foods: With a constant temperature of just over 0 °C – ideal for meat and dairy products. Or at an icy -2 °C in the entire compartment, which fish and seafood love. And, on request, divided as well: left -2 °C, right just over 0 °C, in between a dividing wall as a temperature limit. And fruit and vegetables, too, can be stored in the BioFresh-Plus safe at just over 0 °C, considerably longer than in the normal refrigerator compartment.



IceMaker

The automatic IceMaker creates 1.6 kg of ice from filtered water in 24 hours. The ice production can be increased further by activating the SuperFrost function. The upper draw in the NoFrost freezer compartment is enclosed and protects the frozen goods from undesired loss of cooled air by means of the FrostSafe system.



SmartDevice

The Monolith is supplied with a SmartDeviceBox which establishes a connection between a smartphone or tablet and the Monolith. This allows settings and functions to be activated also while you are on the move. Push messages report, for example, open doors.*

*SmartDevice functions not available in all countries.



←76.2→

ECBN 9471

Energy efficiency class	E
Energy consumption in kWh (year / 24h)	296 / 0.812
Noise output in dB(A) / Noise class	38 / C
Total volume* in litres	400
Volume of refrigerator compartment in litres	190.0
Volume of BioFresh compartment in litres	69.0
Volume of freezer compartment in litres	141.0
Number of storage shelves	3
Number of door racks	2
Number of FrostSafe drawers	1
Electronic control	InfinitySwipe
Automatic SuperCool function	yes
Automatic SuperFrost function	yes
Temperature range of refrigerator compartment in °C	+2 °C to +7 °C
Temperature range of freezer compartment in °C	-14 °C to -27 °C
Defrosting method	automatic
Interior lighting	InfinityLight
Integrated water dispenser / Fixed water connection 3/4"	InfinitySpring
Water filter	yes
IceMaker	fixed water connection 3/4"
Ice cube production in 24 h / in kg	1.6
Ice cube storage capacity in kg	3.0
Door hinge	right, reversible**
Appliance dimensions in cm (H / W / D)	212.6 / 75.4 / 61
Recess dimensions in cm (H / W / D)	213.4 / 76.2 / 63.5
Net weight in kg	184.0
Voltage in V~ / Connected load in A	220-240 / 3.0
This appliance is also available as variant -617:	with left door hinges



* In accordance with Regulation EU 2019/2016, we indicate the total volume to the nearest integer (rounded off) and the volume of the frozen compartments and refrigeration compartments to one place after the decimal point.

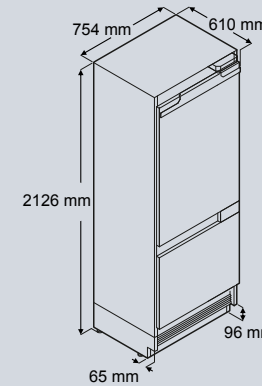
** Please contact the authorised Liebherr Monolith customer service for reversing the door hinge. You can find the full range of efficiency classes on page 64. As per (EU) 2017/1369 6a.

Optional accessories

- Flat brushed aluminium handle
- Square brushed aluminium handle
- Round stainless steel handle
- Stainless steel panel set
- Stainless steel plinth panel
- Side-by-Side set
- Door hinge exchange set

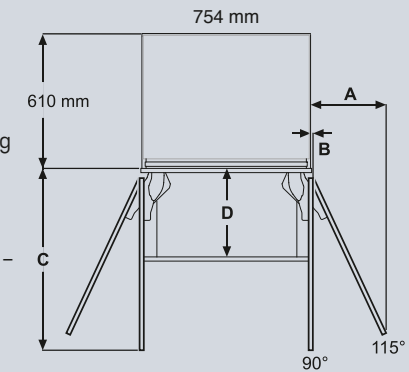
Optional accessories on page 52-55.

Appliance dimensions



IMPORTANT!

The adjustable feet are fully retracted for the minimum height stated. The appliance height is raised by turning the adjustable feet. Once the appliance has been positioned in the recess, it is raised using the adjustable feet – in each case from the front of the appliance – so that the appliance comes into contact with the anti-tipping device. To achieve the minimal plinth panel height of 102 mm, the adjustable feet have to be raised by 6 to 8 mm. If the plinth panel should be higher than 102 mm, the adjustable feet can be raised by a maximum of 19 mm.



Inset door panel

- A = 377 mm
- B = 12.5 mm
- C = 810 mm

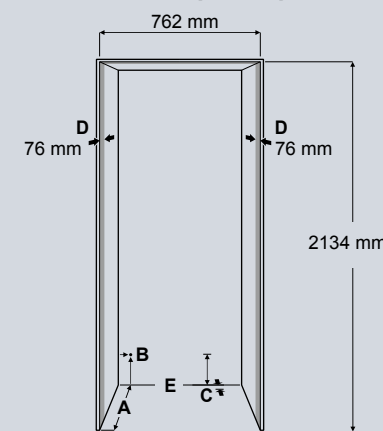
Overlay door panel

- A = 343 mm
- B = 12.5 mm
- C = 822 mm
- D = 400 mm

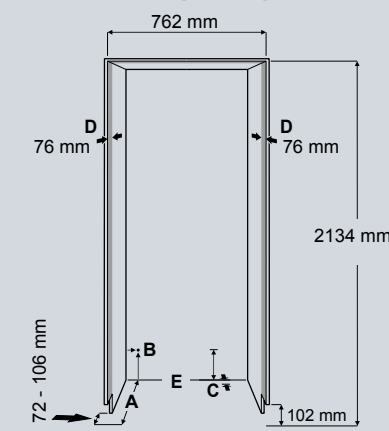
Dimension A = without fitted door handle

Recess dimensions

Individual plinth panel



Continuous plinth panel



A

Unit depth
with overlay door panel installation: 635 mm
with inset door panel installation: 635 mm + thickness of the custom panel. Further details on page 57.

B

Point at which the mains cable exits from the rear of the appliance (19 mm from the left and 127 mm from the floor). The free length of the mains cable is 2.5 m.

C

The appliance has a recess in this area for cable and water line routing: Depth is 25 mm, and height 140 mm across the entire appliance width.

D

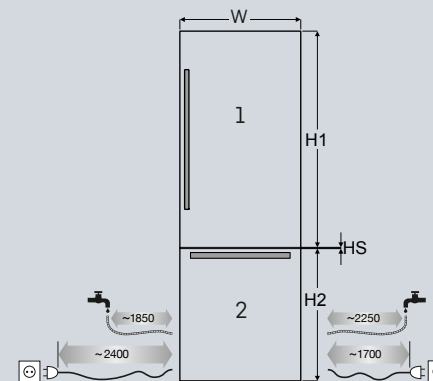
This surface is visible when the appliance door is opened. Designed finish is therefore recommended.

E

The anti-tipping device positioned at the base of the appliance must be secured to the floor or to the wall.

Door panel dimensions

and dimensions of free length for power / water



Inset installation

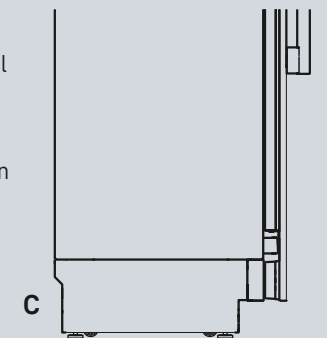
H1 = 1255 mm / H2 = 768 mm / HS = 6 mm / W = 756 mm

Overlay installation

H1 = 1258 mm (plus the dimensions of overlapping of the panel on the top)
H2 = 768 mm
HS = 6 mm
W = 762 mm (plus the dimensions of overlapping of the panel on both sides)

Thickness of the panel: min. 16 mm* / max. 30 mm
Weight of panel 1: max. 35 kg
Weight of panel 2: max. 25 kg

Installations behind the appliance are not possible.



* If a five-piece shaker style panel is used, which is thinner than the minimum panel thickness, shorter screws than those supplied in the accessory pack must be used.

For further relevant planning and safety requirements, see pages 56-63.



→914←

Optional accessories

- Flat brushed aluminium handle
- Square brushed aluminium handle
- Round stainless steel handle
- Stainless steel panel set
- Stainless steel plinth panel
- Side-by-Side set
- Door hinge exchange set

Optional accessories on page 52-55.

ECBN 9671

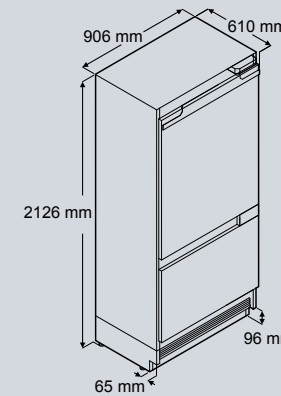
Energy efficiency class	D
Energy consumption in kWh (year / 24h)	266 / 0.728
Noise output in dB(A) / Noise class	38 / C
Total volume* in litres	514
Volume of refrigerator compartment in litres	242.6
Volume of BioFresh compartment in litres	87.1
Volume of freezer compartment in litres	184.3
Number of storage shelves	3
Number of door racks	2
Number of FrostSafe drawers	1
Electronic control	InfinitySwipe
Automatic SuperCool function	yes
Automatic SuperFrost function	yes
Temperature range of refrigerator compartment in °C	+2 °C to +7 °C
Temperature range of freezer compartment in °C	-14 °C to -27 °C
Defrosting method	automatic
Interior lighting	InfinityLight
Integrated water dispenser / Fixed water connection 3/4"	InfinitySpring
Water filter	yes
IceMaker	fixed water connection 3/4"
Ice cube production in 24 h / in kg	1.6
Ice cube storage capacity in kg	3.0
Door hinge	right, reversible**
Appliance dimensions in cm (H / W / D)	212.6 / 90.6 / 61
Recess dimensions in cm (H / W / D)	213.4 / 91.4 / 63.5
Net weight in kg	190.0
Voltage in V~ / Connected load in A	220-240 / 3.0
This appliance is also available as variant -617:	with left door hinges



* In accordance with Regulation EU 2019/2016, we indicate the total volume to the nearest integer (rounded off) and the volume of the frozen compartments and refrigeration compartments to one place after the decimal point.

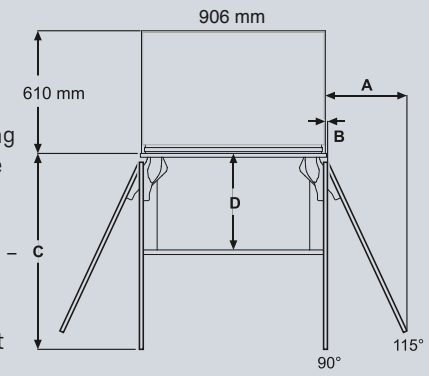
** Please contact the authorised Liebherr Monolith customer service for reversing the door hinge. You can find the full range of efficiency classes on page 64. As per (EU) 2017/1369 6a.

Appliance dimensions



IMPORTANT!

The adjustable feet are fully retracted for the minimum height stated. The appliance height is raised by turning the adjustable feet. Once the appliance has been positioned in the recess, it is raised using the adjustable feet – in each case from the front of the appliance – so that the appliance comes into contact with the anti-tipping device. To achieve the minimal plinth panel height of 102 mm, the adjustable feet have to be raised by 6 to 8 mm. If the plinth panel should be higher than 102 mm, the adjustable feet can be raised by a maximum of 19 mm.



Inset door panel

- A = 400 mm
- B = 12.5 mm
- C = 962 mm

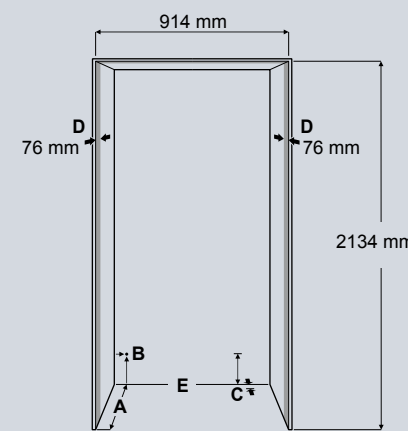
Overlay door panel

- A = 406 mm
- B = 12.5 mm
- C = 975 mm
- D = 400 mm

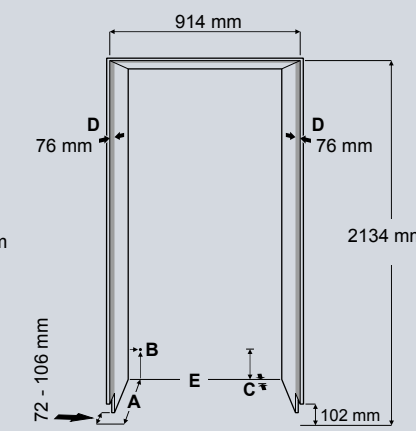
Dimension A = without fitted door handle

Recess dimensions

Individual plinth panel



Continuous plinth panel



A

Unit depth with overlay door panel installation: 635 mm with inset door panel installation: 635 mm + thickness of the custom panel. Further details on page 57.

B

Point at which the mains cable exits from the rear of the appliance (19 mm from the left and 127 mm from the floor). The free length of the mains cable is 2.5 m.

C

The appliance has a recess in this area for cable and water line routing: Depth is 25 mm, and height 140 mm across the entire appliance width.

D

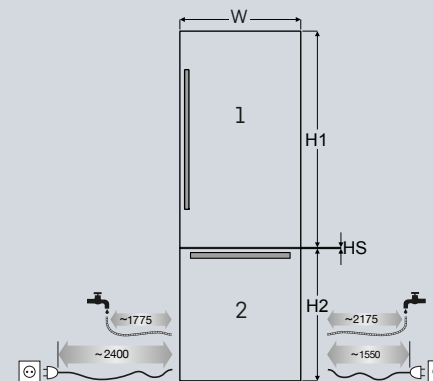
This surface is visible when the appliance door is opened. Designed finish is therefore recommended.

E

The anti-tipping device positioned at the base of the appliance must be secured to the floor or to the wall.

Door panel dimensions

and dimensions of free length for power / water



Inset installation

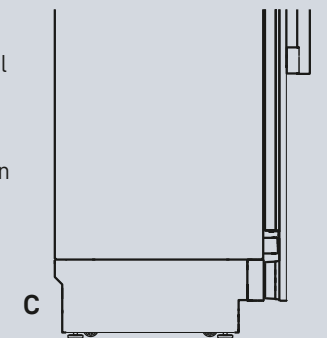
H1 = 1255 mm / H2 = 768 mm / HS = 6 mm / W = 908 mm

Overlay installation

H1 = 1258 mm (plus the dimensions of overlapping of the panel on the top)
 H2 = 768 mm
 HS = 6 mm
 W = 914 mm (plus the dimensions of overlapping of the panel on both sides)

Thickness of the panel: min. 16 mm* / max. 30 mm
 Weight of panel 1: max. 40 kg
 Weight of panel 2: max. 30 kg

Installations behind the appliance are not possible.



* If a five-piece shaker style panel is used, which is thinner than the minimum panel thickness, shorter screws than those supplied in the accessory pack must be used.

For further relevant planning and safety requirements, see pages 56-63.



~914~

Optional accessories

- Flat brushed aluminium handle
- Square brushed aluminium handle
- Round stainless steel handle
- Stainless steel panel set
- Stainless steel plinth panel
- Side-by-Side set

Optional accessories on page 52-55.

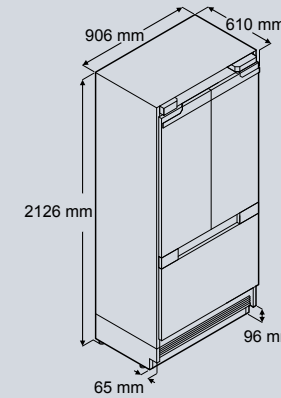
ECBN 9673

Energy efficiency class	F
Energy consumption in kWh (year / 24h)	422 / 1.156
Noise output in dB(A) / Noise class	38 / C
Total volume* in litres	510
Volume of refrigerator compartment in litres	239.6
Volume of BioFresh compartment in litres	86.8
Volume of freezer compartment in litres	184.0
Number of storage shelves	3
Number of door racks	4
Number of FrostSafe drawers	1
Electronic control	InfinitySwipe
Automatic SuperCool function	yes
Automatic SuperFrost function	yes
Temperature range of refrigerator compartment in °C	+2 °C to +7 °C
Temperature range of freezer compartment in °C	-14 °C to -27 °C
Defrosting method	automatic
Interior lighting	InfinityLight
Integrated water dispenser / Fixed water connection 3/4"	InfinitySpring
Water filter	yes
IceMaker	fixed water connection 3/4"
Ice cube production in 24 h / in kg	1.6
Ice cube storage capacity in kg	3.0
Door hinge	left, fixed / right, fixed
Appliance dimensions in cm (H / W / D)	212.6 / 90.6 / 61
Recess dimensions in cm (H / W / D)	213.4 / 91.4 / 63.5
Net weight in kg	216.0
Voltage in V~ / Connected load in A	220-240 / 3.0

Bio Fresh Plus	Duo Cooling	No Frost	Soft System	Power Cooling	Infinity Swipe	Infinity Light	Infinity Spring	Ice Maker	Frost Safe System
Smart Device	Soft-Telescopic								

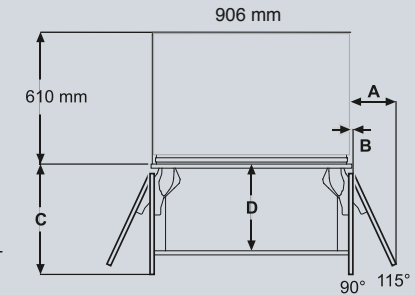
* In accordance with Regulation EU 2019/2016, we indicate the total volume to the nearest integer (rounded off) and the volume of the frozen compartments and refrigeration compartments to one place after the decimal point.
 You can find the full range of efficiency classes on page 64. As per (EU) 2017/1369 6a.

Appliance dimensions



IMPORTANT!

The adjustable feet are fully retracted for the minimum height stated. The appliance height is raised by turning the adjustable feet. Once the appliance has been positioned in the recess, it is raised using the adjustable feet - in each case from the front of the appliance - so that the appliance comes into contact with the anti-tipping device. To achieve the minimal plinth panel height of 102 mm, the adjustable feet have to be raised by 6 to 8 mm. If the plinth panel should be higher than 102 mm, the adjustable feet can be raised by a maximum of 19 mm.



Inset door panel

- A = 210 mm
- B = 12.5 mm
- C = 510 mm

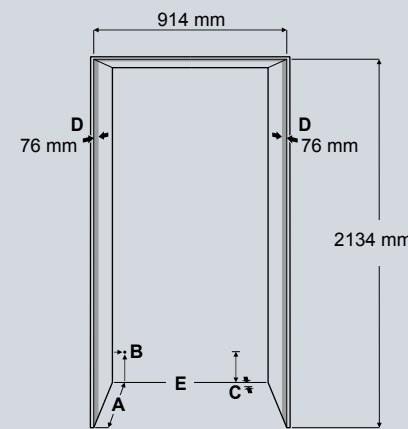
Overlay door panel

- A = 210 mm
- B = 12.5 mm
- C = 510 mm
- D = 400 mm

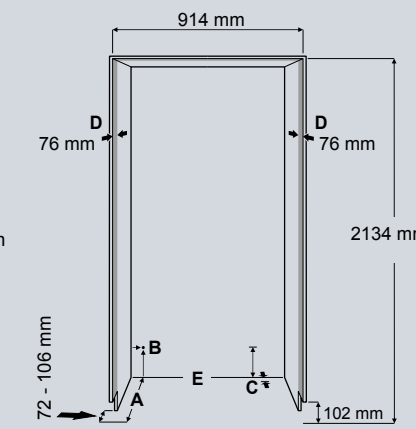
Dimension A = without fitted door handle

Recess dimensions

Individual plinth panel



Continuous plinth panel



A

Unit depth with overlay door panel installation: 635 mm with inset door panel installation: 635 mm + thickness of the custom panel. Further details on page 57.

B

Point at which the mains cable exits from the rear of the appliance (19 mm from the left and 127 mm from the floor). The free length of the mains cable is 2.5 m.

C

The appliance has a recess in this area for cable and water line routing: Depth is 25 mm, and height 140 mm across the entire appliance width.

D

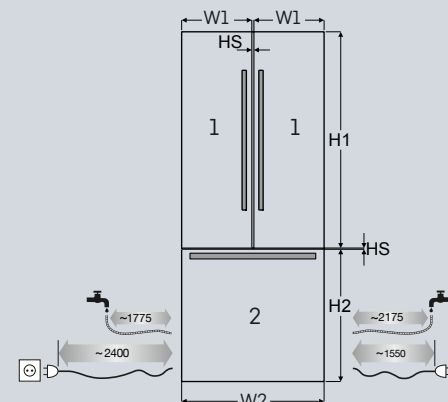
This surface is visible when the appliance door is opened. Designed finish is therefore recommended.

E

The anti-tipping device positioned at the base of the appliance must be secured to the floor or to the wall.

Door panel dimensions

and dimensions of free length for power / water



Inset installation

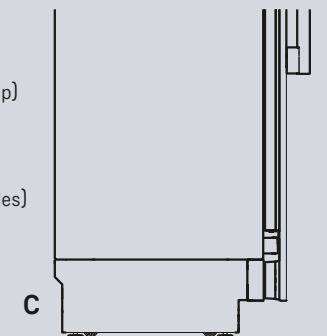
H1 = 1255 mm / H2 = 768 mm / HS = 6 mm
 W1 = 451 mm / W2 = 908 mm

Overlay installation

H1 = 1258 mm (plus the dimensions of overlapping of the panel on the top)
 H2 = 768 mm
 HS = 6 mm
 W1 = 454 mm (plus the dimensions of overlapping of the panel exterior)
 W2 = 914 mm (plus the dimensions of overlapping of the panel on both sides)

Thickness of the panel: min. 16 mm* / max. 30 mm
 Weight of panel 1: max. 40 kg
 Weight of panel 2: max. 30 kg

Installations behind the appliance are not possible.



* If a five-piece shaker style panel is used, which is thinner than the minimum panel thickness, shorter screws than those supplied in the accessory pack must be used.

For further relevant planning and safety requirements, see pages 56-63.

Wine cabinets

EGN 9271 | EWT 9275 | EKB 9471



InfinityLight

Monolith's integrated LED side wall lighting casts a beautiful and even glow throughout the space. InfinityLight includes a soft brightening effect upon opening the doors and the lighting can be fine-tuned according to your personal taste. The InfinityLight LED technology emits less heat and is more efficient than traditional lighting, preserving both your wines and the environment.



Aluminium labelling strip

The aluminium labelling strip brings structure to your wine collection. The label for each stored wine can be applied directly to the aluminium labelling strip. This gives you a good overview of your wine supply.



InfinitySwipe

The Monolith's intuitive InfinitySwitch touch control makes it very easy to control every function in the wine cabinet. The bright and clear 3.5 inch touch & swipe display shows up to three temperatures for wine cabinets with multiple zones.



InfinityProtection

In order to protect the wines from strong temperature fluctuations, the Monolith wine cabinets have two temperature sensors in each wine safe. Only Liebherr offers this function. As soon as the InfinityProtection sensors register a critical temperature change, there is an immediate notification in order to protect the wines from becoming too warm or too cold.



FreshAir activated charcoal filter

Your wine collections deserve the best air quality. That's why the Monolith has a FreshAir activated charcoal filter in each wine safe. This ensures that your treasured wines are always well protected. The incoming air is cleaned and unpleasant odours are filtered out.



SoftSystem

The Monolith's SoftSystem technology ensures that the doors close particularly gently every time. This avoids vibrations due to slamming doors, so that the wine bottles are optimally protected.



SoftTelescopic

The Monolith's high-quality wooden shelves sit on smooth-running telescopic rails with a self-closing mechanism and soft closing damping. Additional wooden bars enable you to adapt the interior in the best possible way to your assortment of variously sized wine and champagne bottles. Now all the bottles in your wine collection can be optimally accommodated and the possibilities of the wine cabinet can be completely utilised.



InfinityBoard

A special feature of the Monolith wine cabinet is the InfinityBoard. On the pull-out shelf, bottles can be stored temporarily while the wine collection is being sorted or added to. Serving is also easier: the wine can be opened and tasted directly at the Monolith.



EWT 9175

Energy efficiency class	G
Energy consumption in kWh (year / 24h)	154 / 0.423
Noise output in dB(A) / Noise class	38 / C
Total volume* in litres	232
Max. Bordeaux bottles (0.75 l)	75
Number of storage shelves	9
Of which on telescopic rails	9
InfinityBoard	yes
Storage shelf material	aluminium / beech
Electronic control system	InfinitySwipe
Temperature range in °C	+5 °C to +20 °C
Temperature zones	2
Temperature alarm	visual and audible
Interior lighting	InfinityLight
Door alarm	audible
Safety thermostat	yes
FreshAir activated charcoal filter	yes
Door type	insulated glass door
Door hinge	left, reversible**
Appliance dimensions in cm (H / W / D)	212.6 / 45 / 61
Recess dimensions in cm (H / W / D)	213.4 / 45.7 / 63.5
Net weight in kg	132.0
Voltage in V~ / Connected load in A	220-240 / 1.5
This unit is also available as variant -001:	with right door hinges



←45.7→

Optional accessories

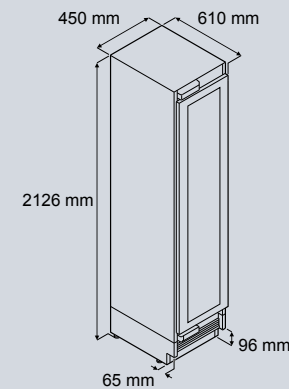
- Flat brushed aluminium handle
- Square brushed aluminium handle
- Round stainless steel handle
- Stainless steel panel
- Stainless steel plinth panel
- Side-by-Side set
- Door hinge exchange set

Optional accessories on page 52-55.

* In accordance with Regulation EU 2019/2016, we indicate the total volume to the nearest integer (rounded off).

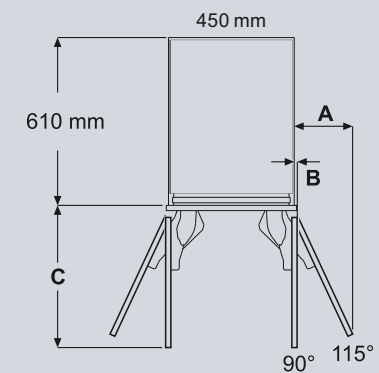
** Please contact the authorised Liebherr Monolith customer service for reversing the door hinge. You can find the full range of efficiency classes on page 64. As per (EU) 2017/1369 6a.

Appliance dimensions



IMPORTANT!

The adjustable feet are fully retracted for the minimum height stated. The appliance height is raised by turning the adjustable feet. Once the appliance has been positioned in the recess, it is raised using the adjustable feet – in each case from the front of the appliance – so that the appliance comes into contact with the anti-tipping device. To achieve the minimal plinth panel height of 102 mm, the adjustable feet have to be raised by 6 to 8 mm. If the plinth panel should be higher than 102 mm, the adjustable feet can be raised by a maximum of 19 mm.



Inset door panel

A = 210 mm
B = 12.5 mm
C = 505 mm

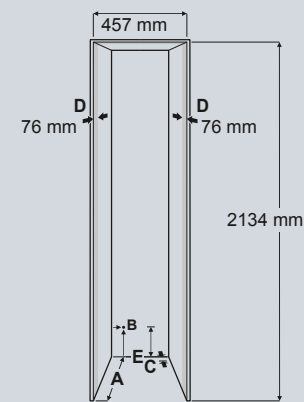
Overlay door panel

A = 216 mm
B = 12.5 mm
C = 517 mm

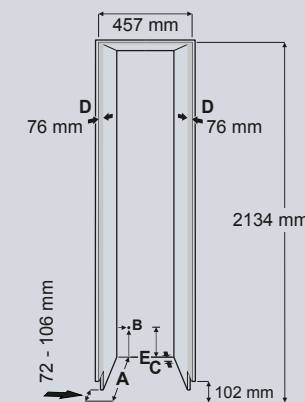
Dimension A = without fitted door handle

Recess dimensions

Individual plinth panel



Continuous plinth panel



A

Unit depth
with overlay door panel installation: 635 mm
with inset door panel installation: 635 mm + thickness of the custom panel. Further details on page 57.

B

Point at which the mains cable exits from the rear of the appliance (19 mm from the left and 127 mm from the floor). The free length of the mains cable is 2.5 m.

C

The appliance has a recess in this area for cable and water line routing: Depth is 25 mm, and height 140 mm across the entire appliance width.

D

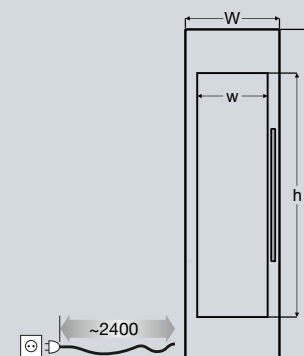
This surface is visible when the appliance door is opened. Designed finish is therefore recommended.

E

The anti-tipping device positioned at the base of the appliance must be secured to the floor or to the wall.

Door panel dimensions

and dimensions of free length for power



Inset installation

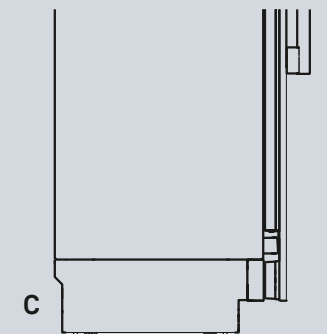
H = 2029 mm / h = 1495 mm
W = 451 mm / w = 280 mm

Overlay installation

H = 2032 mm
(plus the dimensions of overlapping of the panel on the top)
W = 457 mm
(plus the dimensions of overlapping of the panel on both sides)

Thickness of the panel: min. 16 mm* / max. 30 mm
Weight of panel: max. 24 kg

Installations behind the appliance are not possible.



* If a five-piece shaker style panel is used, which is thinner than the minimum panel thickness, shorter screws than those supplied in the accessory pack must be used.

For further relevant planning and safety requirements, see pages 56-63.



EWT 9275

Energy efficiency class	G
Energy consumption in kWh (year / 24h)	180 / 0.493
Noise output in dB(A) / Noise class	38 / C
Total volume* in litres	320
Max. Bordeaux bottles (0.75 l)	100
Number of storage shelves	9
Of which on telescopic rails	9
InfinityBoard	yes
Storage shelf material	aluminium / beech
Electronic control system	InfinitySwipe
Temperature range in °C	+5 °C to +20 °C
Temperature zones	3
Temperature alarm	visual and audible
Interior lighting	InfinityLight
Door alarm	audible
Safety thermostat	yes
FreshAir activated charcoal filter	yes
Door type	insulated glass door
Door hinge	right, reversible**
Appliance dimensions in cm (H / W / D)	212.6 / 60.2 / 61
Recess dimensions in cm (H / W / D)	213.4 / 61 / 63.5
Net weight in kg	158.0
Voltage in V~ / Connected load in A	220-240 / 1.5



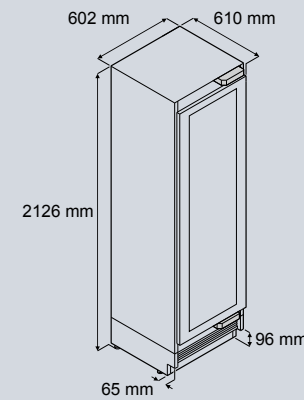
* In accordance with Regulation EU 2019/2016, we indicate the total volume to the nearest integer (rounded off).
 ** Please contact the authorised Liebherr Monolith customer service for reversing the door hinge. You can find the full range of efficiency classes on page 64. As per (EU) 2017/1369 6a.

Optional accessories

- Flat brushed aluminium handle
- Square brushed aluminium handle
- Round stainless steel handle
- Stainless steel panel
- Stainless steel plinth panel
- Side-by-Side set
- Door hinge exchange set

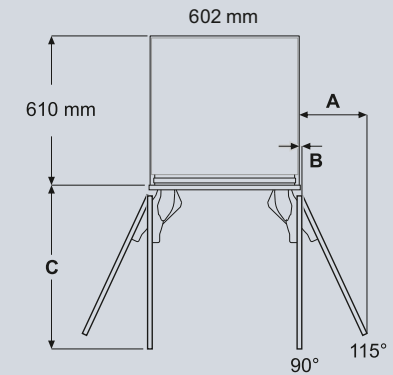
Optional accessories on page 52-55.

Appliance dimensions



IMPORTANT!

The adjustable feet are fully retracted for the minimum height stated. The appliance height is raised by turning the adjustable feet. Once the appliance has been positioned in the recess, it is raised using the adjustable feet – in each case from the front of the appliance – so that the appliance comes into contact with the anti-tipping device. To achieve the minimal plinth panel height of 102 mm, the adjustable feet have to be raised by 6 to 8 mm. If the plinth panel should be higher than 102 mm, the adjustable feet can be raised by a maximum of 19 mm.



Inset door panel

- A = 273 mm
- B = 12.5 mm
- C = 658 mm

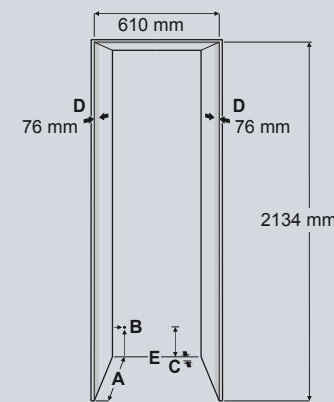
Overlay door panel

- A = 279 mm
- B = 12.5 mm
- C = 670 mm

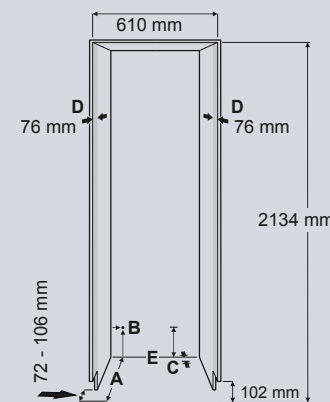
Dimension A = without fitted door handle

Recess dimensions

Individual plinth panel



Continuous plinth panel



A

Unit depth
 with overlay door panel installation: 635 mm
 with inset door panel installation: 635 mm + thickness of the custom panel. Further details on page 57.

B

Point at which the mains cable exits from the rear of the appliance (19 mm from the left and 127 mm from the floor). The free length of the mains cable is 2.5 m.

C

The appliance has a recess in this area for cable and water line routing: Depth is 25 mm, and height 140 mm across the entire appliance width.

D

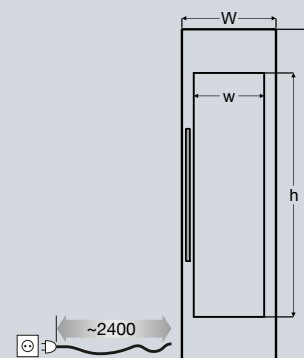
This surface is visible when the appliance door is opened. Designed finish is therefore recommended.

E

The anti-tipping device positioned at the base of the appliance must be secured to the floor or to the wall.

Door panel dimensions

and dimensions of free length for power



Inset installation

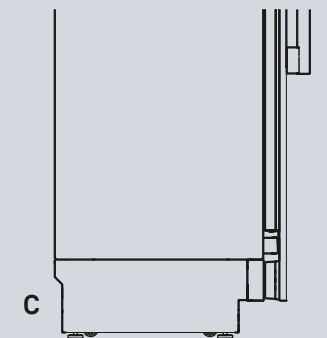
H = 2029 mm / h = 1495 mm
 W = 603 mm / w = 432 mm

Overlay installation

H = 2032 mm
 (plus the dimensions of overlapping of the panel on the top)
 W = 610 mm
 (plus the dimensions of overlapping of the panel on both sides)

Thickness of the panel: min. 16 mm* / max. 30 mm
 Weight of panel: max. 24 kg

Installations behind the appliance are not possible.



* If a five-piece shaker style panel is used, which is thinner than the minimum panel thickness, shorter screws than those supplied in the accessory pack must be used.

For further relevant planning and safety requirements, see pages 56-63.

Optional accessories

Stainless steel panels

The holes for fitting the handle have been drilled centrally with a spacing of 770 mm in order that the stainless steel panel can be turned by 180° in the event that a door hinge is changed.

Refrigerators and freezers

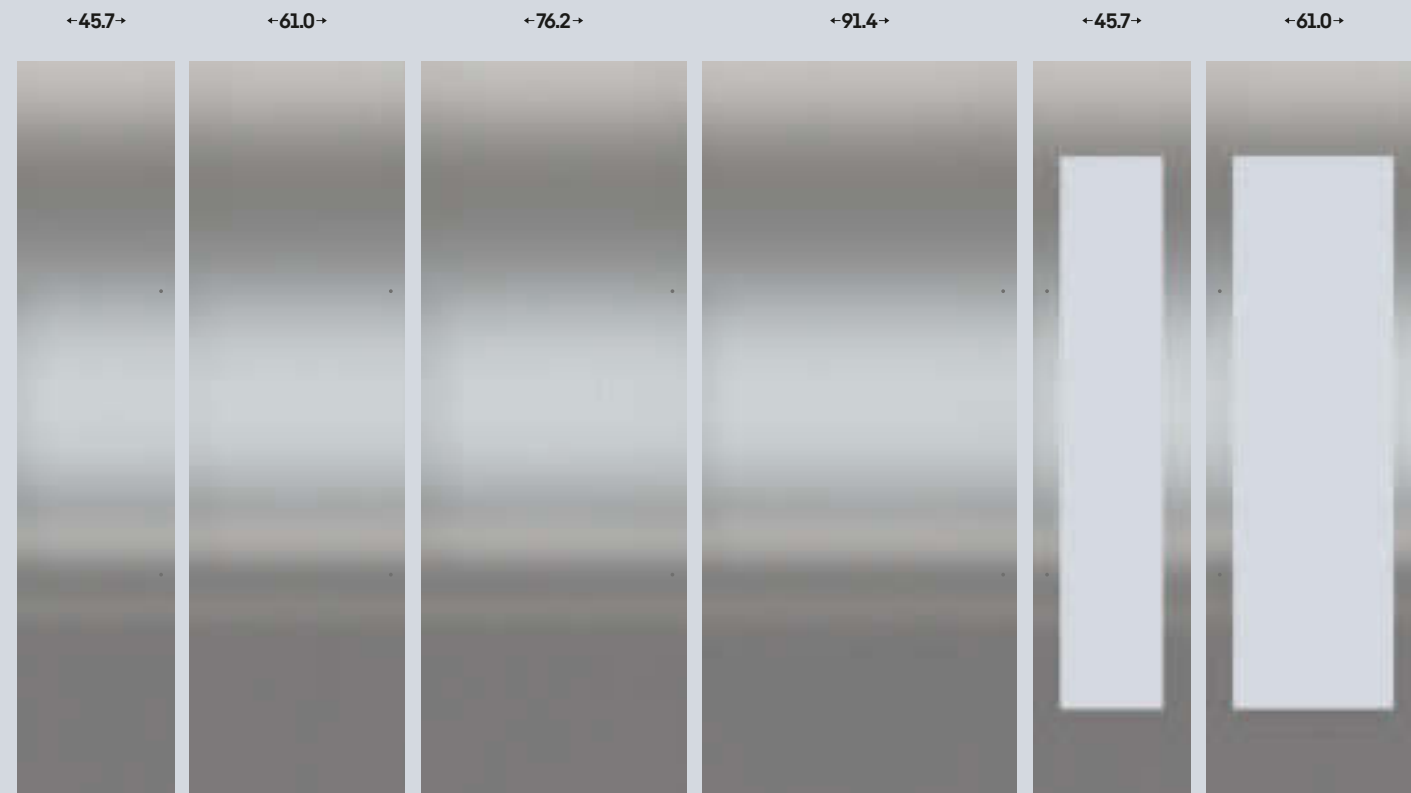
45.7 cm (dimensions: 2029 mm x 451 mm x 19 mm, weight: 18.4 kg)	9901 916	for model: EGN 9171
61.0 cm (dimensions: 2029 mm x 603 mm x 19 mm, weight: 24 kg)	9901 883	for model: EKB 9271, EGN 9271
76.2 cm (dimensions: 2029 mm x 756 mm x 19 mm, weight: 28 kg)	9901 872	for model: EKB 9471, EGN 9471
91.4 cm (dimensions: 2029 mm x 908 mm x 19 mm, weight: 32 kg)	9901 458	for model: EKB 9671, EGN 9671

Wine cabinets

45.7 cm (dimensions: 2029 mm x 451 mm x 19 mm, weight: 10 kg)	9901 535	for model: EWT 9175
61.0 cm (dimensions: 2029 mm x 603 mm x 19 mm, weight: 11.3 kg)	9901 533	for model: EWT 9275

Refrigerators and freezers

Wine cabinets



Stainless steel panel set

The holes for fitting the handle have been drilled centrally with a spacing of 770 mm in order that the stainless steel panel can be turned by 180° in the event that a door hinge is changed. On the freezer compartment panel of the unit ECBN 9471, the distance of the holes is 618 mm.

LargeDoor

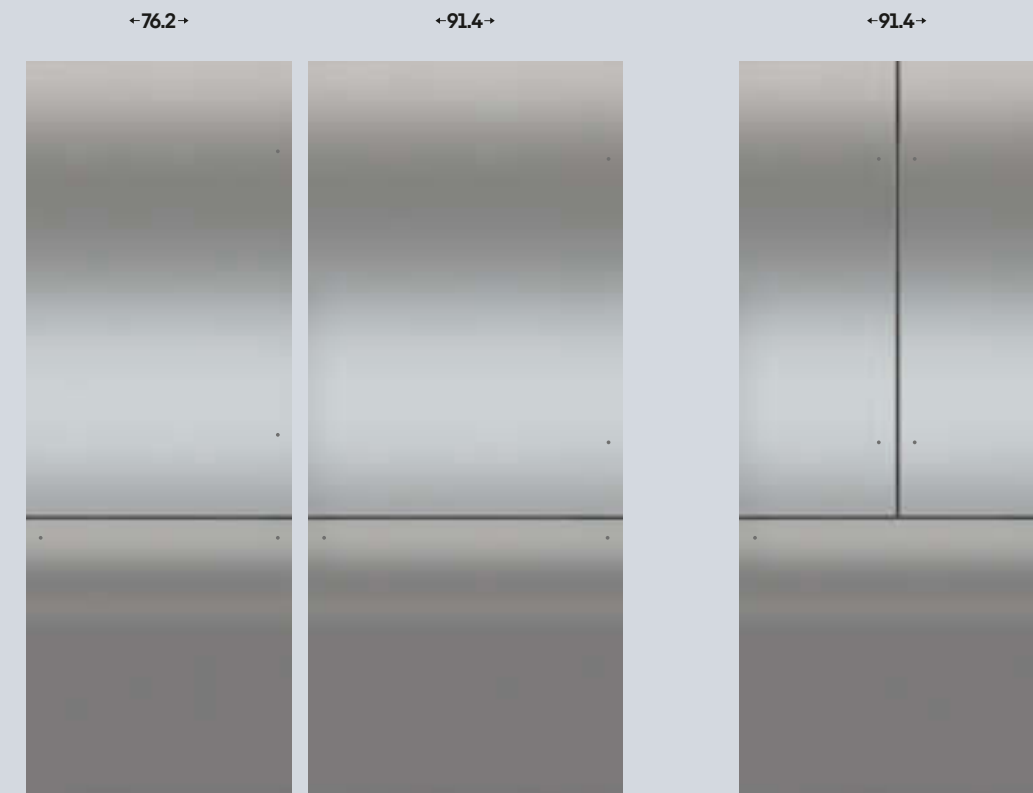
76.2 cm (refrigerator compartment panel dimensions: 756 mm x 1255 mm x 19 mm, weight: 17.8 kg) (freezer compartment panel dimensions: 756 mm x 768 mm x 19 mm, weight: 11 kg)	9903 020	for model: ECBN 9471
91.4 cm (refrigerator compartment panel dimensions: 908 mm x 1255 mm x 19 mm, weight: 21.4 kg) (freezer compartment panel dimensions: 908 mm x 768 mm x 19 mm, weight: 13.8 kg)	9903 019	for model: ECBN 9671

FrenchDoor

91.4 cm (refrigerator compartment panel dimensions per door: 451 mm x 1255 mm x 19 mm, weight: 11 kg) (freezer compartment panel dimensions: 908 mm x 768 mm x 19 mm, weight: 13.8 kg)	9903 022	for model: ECBN 9673
---	----------	----------------------

LargeDoor (2-part set)

FrenchDoor (3-part set)



Optional accessories



Handles

Fastening screws are included in the scope of delivery. The distance between the two screw holes is 770 mm, except for the freezer compartment of the unit ECBN 9471; in this case, the distance is 618 mm.

1 Flat brushed aluminium handle 810 mm (depth: 48 mm, weight: 0.8 kg)	9901 461	for all refrigerators, freezers and wine cabinets / refrigerator compartment ECBN 9471, ECBN 9671, ECBN 9673 / freezer compartment ECBN 9671, ECBN 9673
1 Flat brushed aluminium handle 658 mm (depth: 48 mm, weight: 0.9 kg)	9901 549	for freezer compartment ECBN 9471
2 Square brushed aluminium handle 810 mm (depth: 55 mm, weight: 2.3 kg)	9901 492	for all refrigerators, freezers and wine cabinets / refrigerator compartment ECBN 9471, ECBN 9671, ECBN 9673 / freezer compartment ECBN 9671, ECBN 9673
2 Square brushed aluminium handle 658 mm (depth: 55 mm, weight: 2.2 kg)	9901 924	for freezer compartment ECBN 9471
3 Round stainless steel handle 810 mm (depth: 62 mm, weight: 1.2 kg)	9901 489	for all refrigerators, freezers and wine cabinets / refrigerator compartment ECBN 9471, ECBN 9671, ECBN 9673 / freezer compartment ECBN 9671, ECBN 9673
3 Round stainless steel handle 658 mm (depth: 62 mm, weight: 0.8 kg)	9901 545	for freezer compartment ECBN 9471

Stainless steel plinth panels

45.7 cm	9901 493	for model: EGN 9171, EWT 9175
61.0 cm	9901 496	for model: EKB 9271, EGN 9271, EWT 9275
76.2 cm	9901 530	for model: EKB 9471, EGN 9471, ECBN 9471
91.4 cm	9902 349	for model: EKB 9671, EGN 9671, ECBN 9671, ECBN 9673 / According to Side-by-Side combination
106.7 cm	9901 552	for model: According to Side-by-Side combination
121.9 cm	9901 765	for model: According to Side-by-Side combination
137.1 cm	9901 787	for model: According to Side-by-Side combination
152.4 cm	9902 366	for model: According to Side-by-Side combination
167.6 cm	9902 819	for model: According to Side-by-Side combination
182.8 cm	9902 390	for model: According to Side-by-Side combination



Stainless steel plinth panels (102 mm high)

Side-by-Side set

The Side-by-Side sets include sidewall heater to prevent condensation between appliances as well as metal brackets and screws for connecting the appliances. Decorative trim is also included for covering the gap (approx. 6-8 mm) between the two appliances installed. No additional mains connection is required for the sidewall heater, a slot is provided for this on the rear of the appliance. The use of the Side-by-Side set increases the energy consumption by 0.4 kWh / 24 for two units, and by 0.8 kWh / 24 h for three units.

Side-by-Side set	9901 428	for all Monolith model combinations
------------------	----------	-------------------------------------

Sidewall heater

The sidewall heater prevents the formation of condensation when installing Side-by-Side units in separate unit carcasses and must be used if the distance between two integrated units is less than 102 mm.

Sidewall heater	9903 061	for all Monolith model combinations
-----------------	----------	-------------------------------------

Door hinge exchange set

To exchange hinges assembled ex works. Reversals to be performed by a Liebherr authorised engineer.

Door hinge exchange set	9902 399	for all Monolith model combinations except for ECBN 9673
-------------------------	----------	--

FlexSystem

61.0 cm	9901 828	for model: EKB 9271
76.2 cm	9901 838	for model: EKB 9471
91.4 cm	9902 348	for model: EKB 9671



Filters

FreshAir activated charcoal filter	9882 471	for model: EKB 9271, EKB 9471, EKB 9671, EWT 9175, EWT 9275, ECBN 9471, ECBN 9671, ECBN 9673
FreshAir activated charcoal filter (2 pieces)	9881 116	for model: EKB 9271, EKB 9471, EKB 9671, EWT 9175
FreshAir activated charcoal filter (3 pieces)	9882 304	for model: EWT 9275
FreshAir activated charcoal filter and water filter set	9903 047	for model: EKB 9471, EKB 9671, ECBN 9471, ECBN 9671, ECBN 9673
Water filter	9880 980	for model: EKB 9471, EKB 9671, EGN 9171, EGN 9271, EGN 9471, EGN 9671, ECBN 9471, ECBN 9671, ECBN 9673

Ice

Ice cube scoop	9901 841	for model: EGN 9171, EGN 9271, EGN 9471, EGN 9671, ECBN 9471, ECBN 9671, ECBN 9673
Ice cube tongs	9901 871	for model: EGN 9171, EGN 9271, EGN 9471, EGN 9671, ECBN 9471, ECBN 9671, ECBN 9673

Wine

Stainless steel bottle presenter	9882 303	for model: EWT 9175, EWT 9275
Set of 3 bars for wooden shelf	9903 024	for model: EWT 9175, EWT 9275

Cleaning & care

Stainless steel care product 250 ml	8409 030	for all Monolith models
Stainless steel cleaner 250 ml	8409 022	for all Monolith models

Planning information

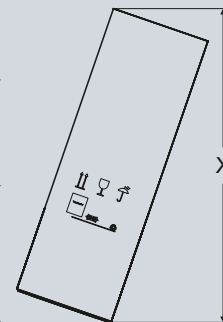
Installation space requirements

The space in which the appliance is to be installed must meet the following requirements:

- The floor must be capable of bearing the weight of the appliance plus – depending on the net capacity of the model – approx. min. 218 kg to max. 544 kg of food.
- The floor should be level. The appliance must be supported or levelled at floor level to ensure that the ventilation openings are clear.
- The recess dimensions in the installation location have been correctly measured.
- The power socket is located in the correct position.

In order to transport the Monolith to the installation location, the door heights must also be considered on the route taken for transportation with the appliance packed and tilted:

Model	Max. height (mm)
EGN 9171 EGN 9271 EKB 9271 EWT 9175 EWT 9275	2396
EGN 9471 EKB 9471 ECBN 9471	2414
EGN 9671 EKB 9671 ECBN 9671 ECBN 9673	2469



The appliance should only be installed next to Liebherr refrigerators, freezers or wine cabinets. The Liebherr models are designed to be set up Side-by-Side. A Side-by-Side set is necessary for this (for separate accessories, see page 54). If a Monolith appliance is installed next to another refrigerator, freezer or wine cabinet, this may result in condensation or damage the Liebherr appliance.

IMPORTANT

In order to prevent potential damage to the appliance, the appliance should be left to stand for one hour in the installation location before switching on in order that the fluids in the coolant and lubrication system can be distributed evenly.

Recess requirements

When planning the recess and secure installation, it is important to make sure that the top and carcass walls line up flush with the appliance at a depth of at least 102 mm from the outside edge and are comprised of appropriately thick material (at least 16 mm).

Because the unit recess is partially visible when the appliance door is opened, it should be ensured that the inside matches the unit surface at the top and at the side and also has a minimum depth of 76 mm. Because the carcass sides are visible, designed carcass finishes from the kitchen manufacturer are recommended.

Monolith appliances are designed for flush installation in units with a depth of 635 mm with stainless steel panels or customer-specific panels, according to the design of the kitchen, available as an accessory.

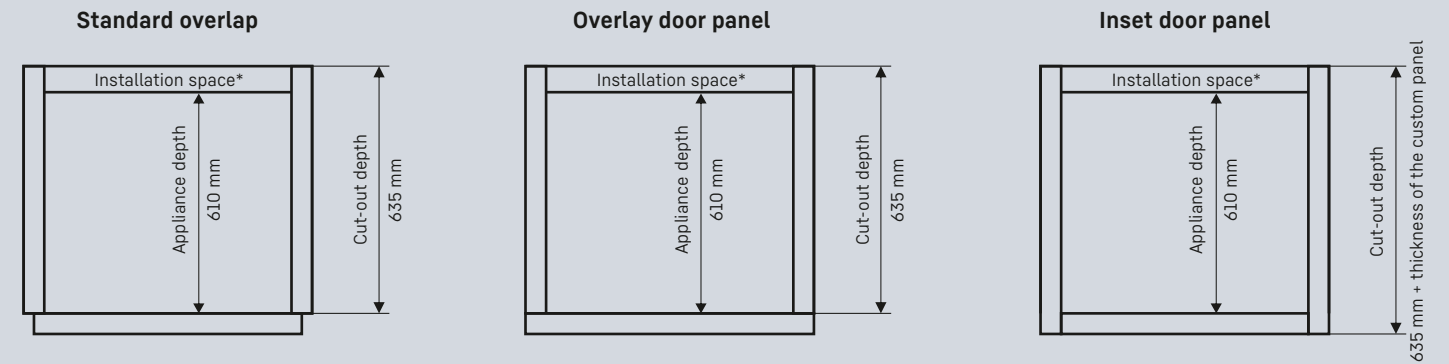
For customer-specific custom panels, it must also be ensured that the maximal permitted panel weight for the door hinge of the respective model is not exceeded. If the maximum panel weight is not exceeded, other materials made of wood with a maximum thickness of 30 mm can also be used.

The scope of supply of the Monolith appliances includes a decorative trim for covering the gap between the appliance and side walls of the fitted unit.

The depth of the Monolith appliances is 610 mm, which means that they may be installed without difficulty in a fitted unit of standard European depth (610 mm) but also in deeper cut-outs of 635 mm in order to provide flexible installation options.

In the case of flush installation, the door panel dimensions for installation with an Inset door panel must be used.

For all other installation options, the door spacing requirements must be observed (page 61) in order to determine the door panel dimensions.



*The installation space constitutes the space between the unit rear wall and the kitchen rear wall. This intermediate space enables convenient installation of the electricity and water connection, as well as the anti-tipping device. If needed, the installation space can be reduced (e.g. cut-out depth 610 mm).

Door panel dimensions and weights

Model	H Inset installation	B Inset installation	H Overlay installation	B Overlay installation	Max. panel weight
EKB 9271	2029 mm	603 mm	2032 mm ¹	610 mm ²	30 kg
EKB 9471	2029 mm	756 mm	2032 mm ¹	762 mm ²	35 kg
EKB 9671	2029 mm	908 mm	2032 mm ¹	914 mm ²	40 kg
EGN 9171	2029 mm	451 mm	2032 mm ¹	457 mm ²	25 kg
EGN 9271	2029 mm	603 mm	2032 mm ¹	610 mm ²	30 kg
EGN 9471	2029 mm	756 mm	2032 mm ¹	762 mm ²	35 kg
EGN 9671	2029 mm	908 mm	2032 mm ¹	914 mm ²	40 kg
EWT 9175	2029 mm	451 mm	2032 mm ¹	457 mm ²	24 kg
EWT 9275	2029 mm	603 mm	2032 mm ¹	610 mm ²	24 kg
ECBN 9471 Refrigerator compartment	1255 mm	756 mm	1258 mm ¹	762 mm ²	35 kg
ECBN 9471 Freezer compartment	768 mm	756 mm	768 mm ¹	762 mm ²	25 kg
ECBN 9671 Refrigerator compartment	1255 mm	908 mm	1258 mm ¹	914 mm ²	40 kg
ECBN 9671 Freezer compartment	768 mm	908 mm	768 mm ¹	914 mm ²	30 kg
ECBN 9673 Refrigerator compartment	1255 mm	451 mm ³	1258 mm ¹	454 mm ^{2,3}	40 kg
ECBN 9673 Freezer compartment	768 mm	908 mm	768 mm ¹	914 mm ²	30 kg

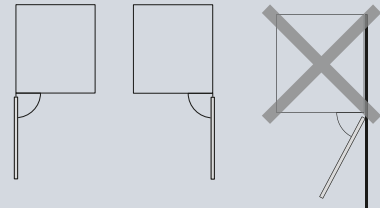
¹ Overlap of the panel at the top not taken into account.

² Overlap of the panel on right and left not taken into account.

³ Distance between the FrenchDoor refrigerator panels at least 5 mm.

Installation options

Individual positioning

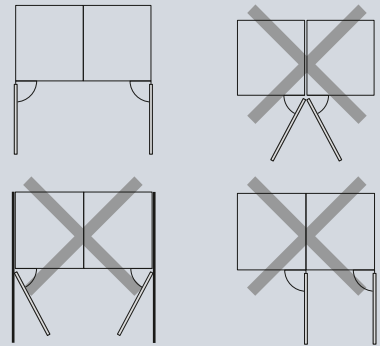


All Monolith appliances can be installed as stand-alone appliances with the hinge on the left or the right. When sizing the fitted unit, take into account the thickness of the door panel and the handle.

In order to prevent the appliance door, including the handle, from colliding with adjoining walls or elements of the kitchen, a minimum spacing of 76 mm must be included for a door opening limited to 90°.

See also "Requirements for door spacing" on page 61.

Side-by-Side in a fitted unit

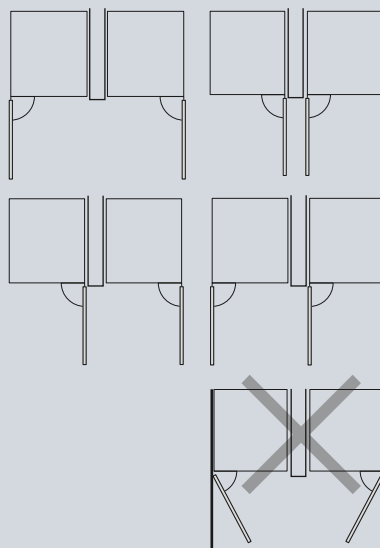


Monolith appliances may be installed Side-by-Side in a fitted unit. For this, a Side-by-Side set which is separately available is required if the spacing between the installed appliances is less than 102 mm. When sizing the fitted unit, take into account the thickness of the door panel and the handle.

In order to prevent the appliance doors, including the handles, from colliding with adjoining walls or elements of the kitchen, a minimum spacing of 76 mm must be included for a door opening limited to 90°.

See also "Requirements for door spacing" on page 61.

Side-by-Side in separate units



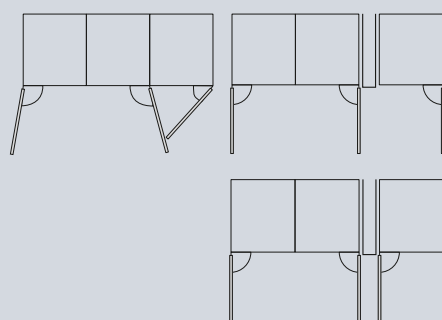
Monolith appliances may be installed Side-by-Side in different units. If the dividing wall between the units has a thickness of less than 102 mm, a separately available Side-by-Side set is required.

In order to prevent the appliance doors, including the handles, from colliding with adjoining walls or elements of the kitchen, a minimum spacing of 76 mm must be included for a door opening limited to 90°.

In the case of back-to-back door positioning (as shown in adjacent drawing, top right), a minimum spacing of 154 mm must be included.

See also "Requirements for door spacing" on page 61.

Side-by-Side with three units



If you combine more than two Monolith units, different installation options are available:

A: You can install three units with two Side-by-Side sets. Please note that this configuration will lead to door collisions. If you use stainless steel panels, you can achieve a Side-by-Side installation look.

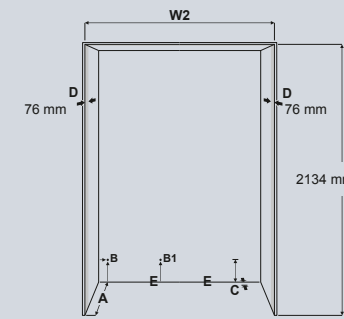
B: You can use a carcass side with a minimum thickness of 16 mm between the third unit and the connected pair of appliances. For this option, two Side-by-Side sets are required. Please note that this configuration will lead to door collisions.

C: In order to ensure that the unit doors, including handles, don't collide when the doors are opened in the same direction, a minimum distance of 102 mm is necessary. If opening is to the centre, a minimum distance of 154 mm is necessary.

Side-by-Side installation

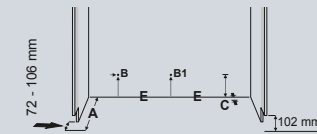
In order to determine the cut-out width for the Side-by-Side combinations, add together the individual widths of the appliances used in the combination. You can find the recess dimensions for a combination of two or three units as follows. The widths for four or more units are available on request. If the distance between the appliances is less than 102 mm, you need the Side-by-Side set described on page 54.

individual

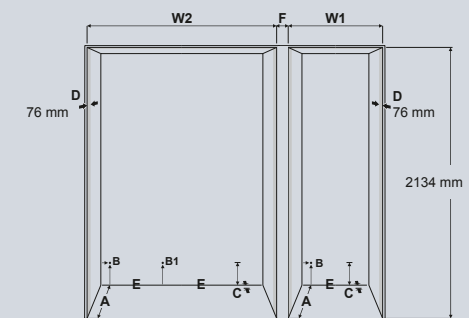
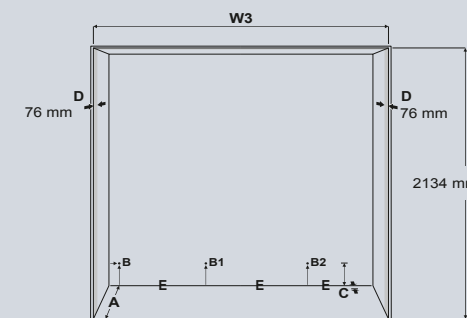


W1 (mm)	W2 (mm)	W3 (mm)
457	914	1372
610	1067	1524
762	1219	1676
914	1372	1829
	1524	1981
	1676	2134
	1829	2286
		2438
		2591
		2743

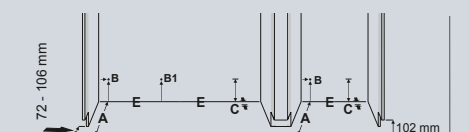
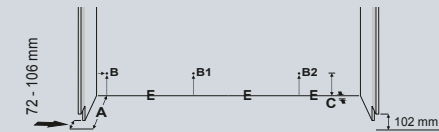
continuous



individual



continuous



A Unit depth for overlay installation: 635 mm; for inset installation: 635 mm + thickness of the custom panel.

B Point at which the mains cable exits from the rear of the appliance (19 mm from the left and 127 mm from the floor). The free length of the mains cable is 2.5 m.

B1, B2 Please refer to descriptions of the individual appliances for the precise position of this point for the combination.

C The appliance has a recess in this area for cable and water line routing: Depth 25 mm, height 140 mm across the entire unit width.

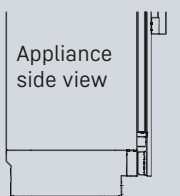
D This surface is visible when the appliance door is opened. Designed finish is therefore recommended.

E The anti-tipping device positioned at the base of the appliance must be secured to the floor or to the wall.

F If the installation is carried out with a separate recess for an additional unit, you need a dividing wall with a minimum width of 16 mm. Please note that this configuration will lead to door collisions. In order to ensure that the handles don't collide when the doors are opened in the same direction, you will need a dividing wall with a minimum width of 102 mm. In order to ensure that the handles don't collide as soon as the doors are opened to the centre and a 90° door opening limiter (included in the scope of delivery) is used at the same time, you need a dividing wall with a minimum width of 154 mm.

W1, W2, W3 Width for one, two or three units.

The widths for four or more units are available on request.



Ventilation requirements

Monolith appliances are ventilated entirely via the plinth panel. The door panels must close at least 102 mm above the floor. The grill in the plinth panel must not be obstructed.

In the scope of supply of the Monolith appliances, spacers are included which must be fitted to the appliance and to the door in order to separate the warm outgoing air from the fresh air flowing in.

Liebherr provides a 102 mm high plinth panel made of stainless steel as an optional accessory. This is available in the relevant Width of the Monolith model and possible Side-by-Side combinations (from 45.7 cm to 182.8 cm).

The plinth panel, the position depth of which can be varied, is assembled by means of an adhesive joint (pre-assembled on the appliance).

See "Optional accessories" on page 54.



Door spacing requirements

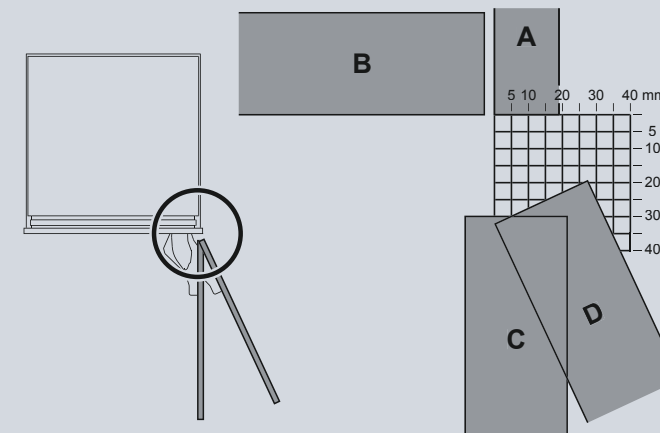
It is essential that Monolith appliances are set up or installed such that the doors (including handles) do not bump into adjoining cupboards, work surfaces, walls or other kitchen elements when they are opened.

If the door bumps into the wall or other units, a 90° door opening limiter can be installed (included in scope of supply). The door opening angle is set to 115° ex works, but can easily be limited to 90° by inserting a stable peg into the hinge.

Inset door panel installation

View from above

Panel thickness 30 mm (example)



A = Furniture framing (here 19 mm, for example)

B = Panel - door closed

C = Panel with door opened 90°

D = Panel with maximum door opening angle of 115°

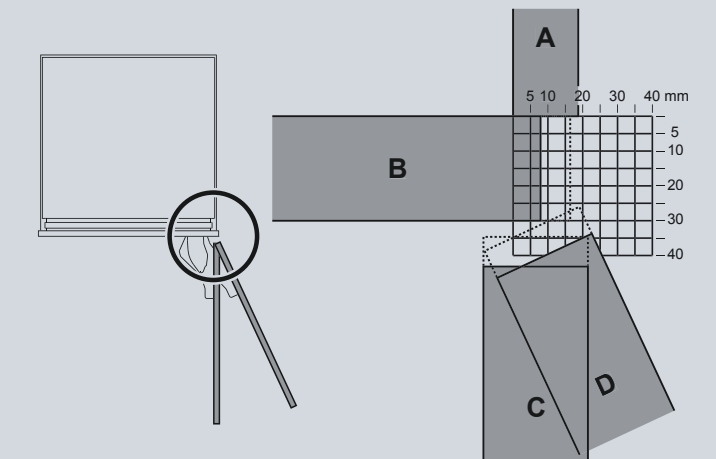
Other possible solutions:

- Reduction in the thickness of the door panel if this is greater than 19 mm.
- Repositioning of the element that collides with the appliance.
- Use of a stopper in order to prevent the door from damaging the adjoining wall or the adjoining unit.

Overlay door panel installation

View from above

Panel thickness 30 mm (example)



A = 19 mm unit carcass

B = Panel - door closed. Overlap on the panel frame of the unit carcass is 8 mm. The dashed line shows an overlap of 17 mm over the panel frame. This overlap only applies if the appliance is at the end of the kitchen units.

C = Panel with door opened 90°

D = Panel with maximum door opening angle of 115°

IMPORTANT

The minimum permitted size of the gap between the panels is 3 mm.

Safety requirements

Ambient temperatures

- The appliances are intended for refrigerating, freezing and storing food and for making ice (if equipped accordingly).
- The appliances are designed for operation within the ambient temperature limit values which depend on the climate class.
- The climate class describes the ambient temperature at which the appliances may be operated in order to achieve optimal cooling performance.
- The climate class of all refrigerators and freezers is SN-T, and for wine cabinets SN-ST.

Climate class	Ambient temperature
SN	10 °C to 32 °C
N	16 °C to 32 °C
ST	16 °C to 38 °C
T	16 °C to 43 °C
SN-ST	10 °C to 38 °C
SN-T	10 °C to 43 °C

IMPORTANT

Do not operate the appliances outside of the ambient temperature ranges specified.

- The refrigerant circuits have been checked for tightness.
- The appliances meet the applicable safety regulations.

Secure mounting

In order to prevent the appliance from tipping over following installation, the anti-tipping device must be fitted. Please note in this regard the information in the chapter “Secure mounting” in the installation instructions.

InfinitySpring (integrated water dispenser) and IceMaker (depending on model)

Monolith appliances fitted with an InfinitySpring or IceMaker must be connected to a water supply. The water pressure must be between 2.8 and 6.2 bar.

Only the supply hose delivered with the appliance must be used to feed water to the InfinitySpring/IceMaker.

If the degree of hardness of the water at the installation location is high, we recommend installing a water softener. A filter must also be used in case solids such as sand are contained in the water.

All devices and systems used to supply the appliance with water must meet the relevant applicable provisions in your region.

All appliances fitted with InfinitySpring or IceMaker have a water filter which is located in the front section of the appliance base. The water filter must be replaced regularly. An InfinitySwipe alarm reminds you when it is time to replace the water filter.

Warnings

- Water connection work must not be performed if the appliance is connected to an electrical socket.
- A shut-off valve must be installed between the hose line and the mains water supply in order that the water supply can be stopped if necessary. The shut-off valve must not be installed behind the appliance.
- The connection to the water supply must only be undertaken by a trained and licensed plumber.
- The water quality must comply with the drinking water regulations for the region in which the appliance is operated.
- The IceMaker is solely for the purpose of producing ice cubes in normal household quantities and must only be used with water appropriate for this purpose.
- All repairs and work on the InfinitySpring/IceMaker must only be undertaken by customer service employees or other trained individuals.
- The manufacturer assumes no responsibility for damage as a result of devices or water pipes located between the solenoid valve and the water supply.

Electrical safety

- The appliance must only be operated using alternating current.
- The permitted voltage and frequency according to the appliance design must be adhered to for the relevant country.
- Power sockets must be earthed and electrically protected in accordance with regulations.
- Power sockets must not be located behind the appliance and must be easily accessible in order to be able to disconnect the appliance from the mains if necessary.
- A separate circuit is recommended for the appliance in order to prevent defrosting or spoiling food as a result of an electricity failure caused by other appliances.



Risk of fatal electric shock.

Do not connect the appliance to unearthed power sockets.

Failure to observe this instruction may result in severe injuries or death.



Fire hazard

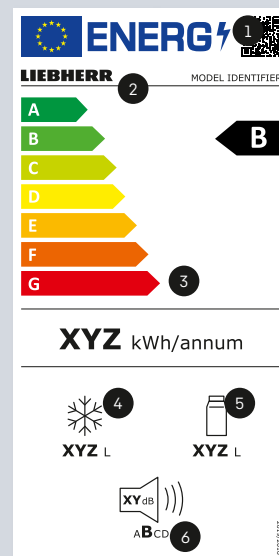
- Do not connect the appliance using an extension cable or multi-socket. There is a risk of overheating or fire due to potentially poor connector contacts.
- Do not connect the appliance using an inverter. There is a risk of overheating and a fire hazard for the control electronics due to imperfect sine wave voltage of various inverters.

Failure to observe these instructions may result in fire, severe injuries or death.

EU energy label for electrical appliances

It is now once again possible to distinguish more easily between efficient and inefficient appliances.

With the reform of the energy label, appliances will again be distributed on the efficiency scale from A to G. This will make things much clearer in future.



- 1 QR-Code to identify the product in the EU database EPREL (European Product Database for Energy Labelling).
- 2 The model identifier for manual identification of the product in the EU database EPREL, using the article number for example.
- 3 The new efficiency scale from A to G. However, "G" is solely used for wine coolers.
- 4 The sum of the volumes of the freezer compartments.
- 5 The total volume of all cold storage and refrigerator compartments.
- 6 The noise level is now classified in classes "A" to "D".

Do you still have questions? If so, please contact your Liebherr sales representative.



EWT 9175 | ECBN 9671

home.liebherr.com/monolith



Subject to changes. For latest available data, see home.liebherr.com/monolith.
Printed in Germany by Typodruck. 7900 986-02/08.21/EN